

Bleeding Shock Absorbers Before Installing Them

Before installing new shock absorbers, you must bleed them by moving the piston rod up and down several times.

Background: Due to the horizontal position of the shock absorbers, it is possible for gas and hydraulic fluid to mix inside the shock absorber (Fig. 1).

This results in the optimum absorption effect not being reached until the vehicle has been bounced up and down a few times. Apart from this, there can be increased noise (hissing).

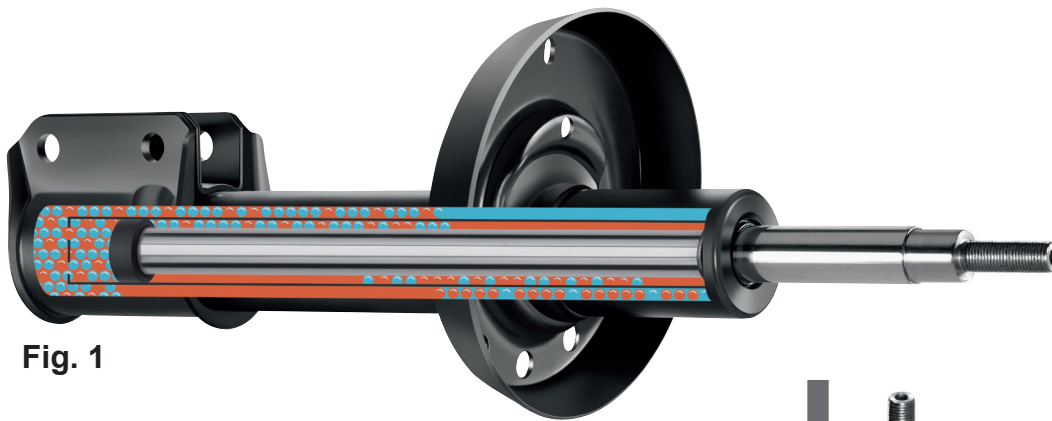


Fig. 1

To avoid this effect, which is unpleasant for the driver, you must push the piston rod with your hand in the functional direction (Fig. 2).

This separates gas and hydraulic fluid again. The shock absorber has been bled and will achieve its full absorption effect immediately after installation.

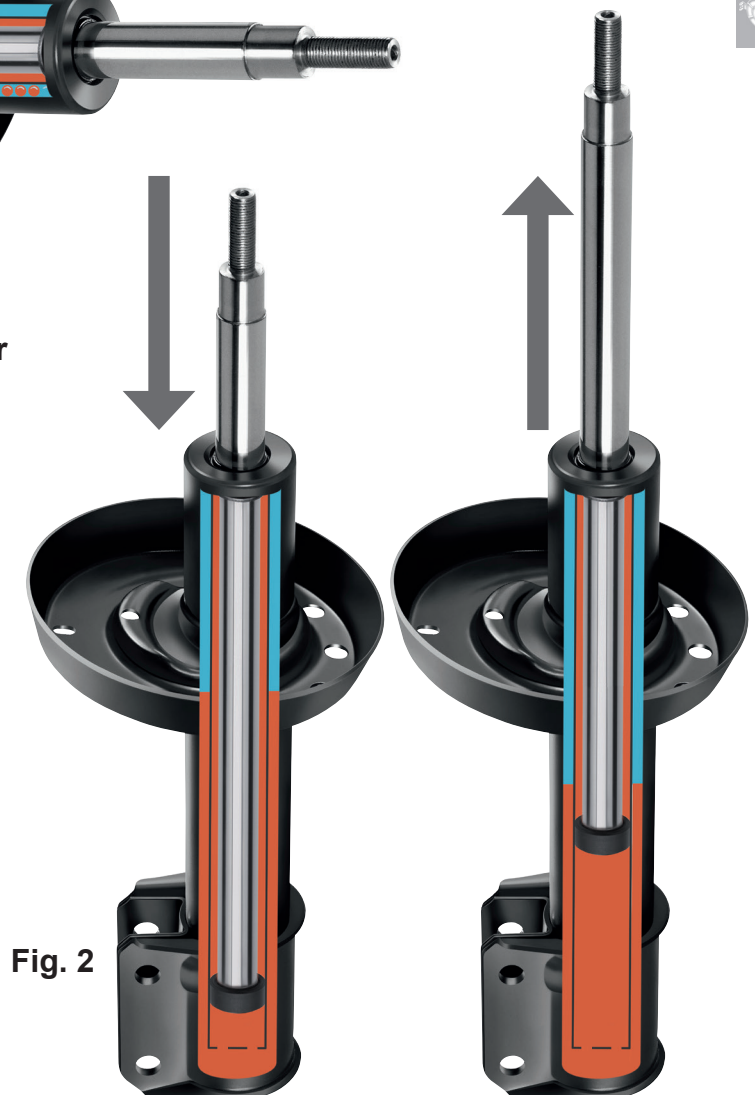


Fig. 2

