



VW PASSAT (3C2), PASSAT Variant (3C5), PASSAT CC (357)



WARNING

Health risk!

Inhalation of brake dusts may result in serious damage to the respiratory organs!

Do not clean brake components with compressed air.

Use brake cleaner fluid.

NOTE

Move back brake piston using the diagnostic unit prior to any work on the brake system.

The illustrations of these installation instructions are exemplary and are only intended for better understanding.

General reference notes

The parking brake servomotors are located at the rear brake calipers.

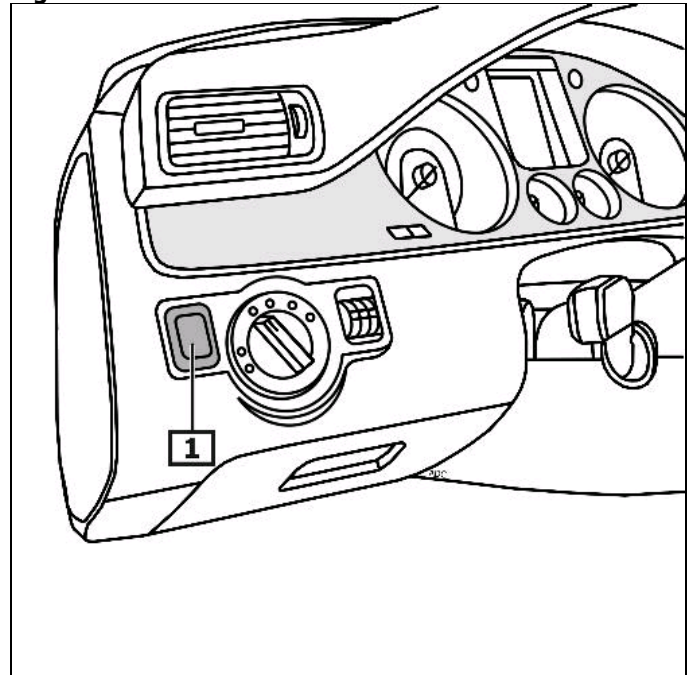
The control unit for the parking brake is located under the center console.

The switch for the parking brake is located in the center console.

(1)

(see figure 1)

Figure 1



1 Parking brake switch

Display/operation

Engage parking brake

Press parking brake switch backward.

Disengage parking brake

Press parking brake switch and simultaneously operate the clutch or brake pedal.

Attention! The electromechanical parking brake can be actuated with the ignition switched off but it cannot be released.

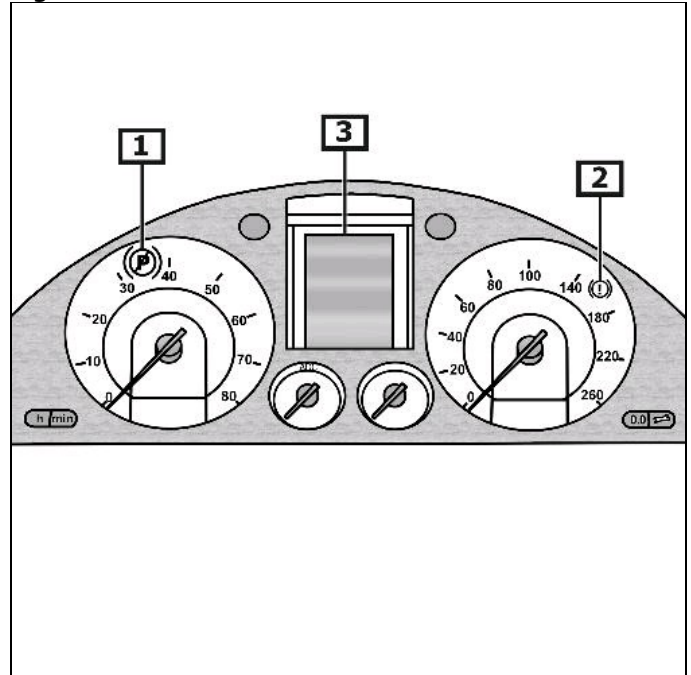
The yellow indicator light goes on when errors occur that impair operating or traffic safety. (1)

The indicator light is flashing continuously when the parking brake has not been completely closed. The line is disturbed once the indicator light should flash while operating the switch. (2)

The display will show a message when an error has been detected by the control unit. (3)
(see figure 2)

For further details and information, please refer to the operating manual!

Figure 2



1 Warning light

2 Indicator light

Move back brake piston using a diagnostic unit prior to any work on the brake system.

Note position of EOBD connection.

Connect diagnostic unit to diagnostic connection.

Switch on ignition.

Disengage parking brake

Follow the instructions of the diagnostic unit.

After repair work

Follow the instructions of the diagnostic unit.

Carry out basic adjustments using suitable diagnostic unit.

Check fault memory, and delete fault if necessary.

Carry out brake test on test stand.

Drive the rear vehicle wheels onto the testing stand, leaving the ignition on.

Test mode will be automatically activated when the test speed is higher than 3 km/h.

On the display the yellow, crossed out parking brake symbol will appear.

The front wheels must be fixed during the test.

The parking brake is being closed a bit at every switch actuation.

Parking brake completely engaged after hitting the switch 3 times.