



RENAULT MEGANE III



WARNING

Health risk!

Inhalation of brake dusts may result in serious damage to the respiratory organs!

Do not clean brake components with compressed air.

Use brake cleaner fluid.

NOTE

Move back brake piston using the diagnostic unit prior to any work on the brake system.

The illustrations of these installation instructions are exemplary and are only intended for better understanding.

General reference notes

The parking brake servomotors are located at the rear brake calipers.

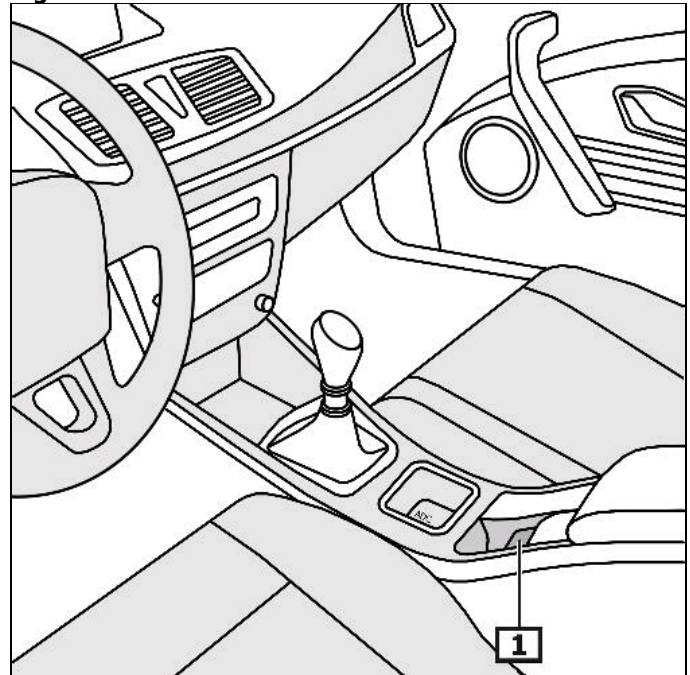
The parking brake control unit is located in the boot right behind the paneling.

The switch for the parking brake is located in the center console.

(1)

(see figure 1)

Figure 1



1 Parking brake switch

Display/operation

Automatic mode

Parking brake closes automatically once the engine is cut through the start/stop tip switch.

Parking brake will automatically disengage when accelerator pedal is being actuated.

Engage parking brake

Pull parking brake switch.

Disengage parking brake

Press parking brake switch and simultaneously apply accelerator pedal or brake pedal.

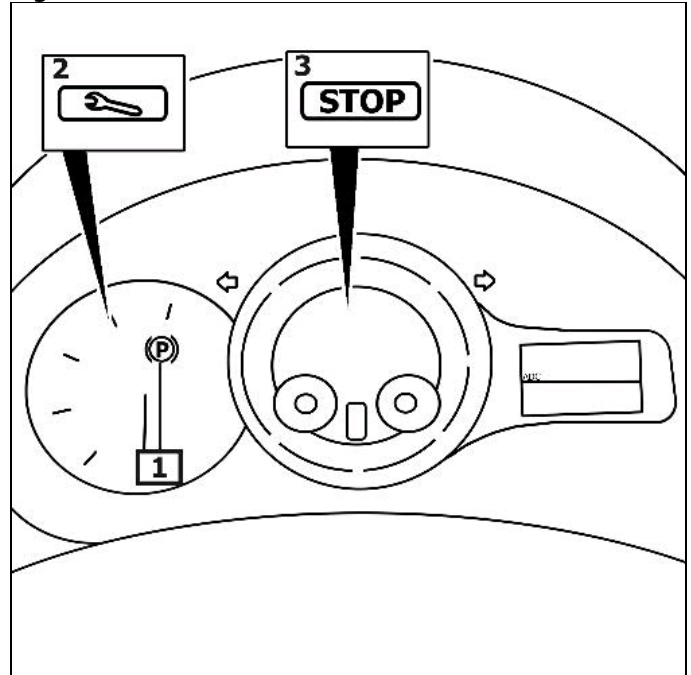
The red warning light goes on when errors occur that greatly impair operating or traffic safety. (3)

The display will show a message when an error has been detected by the control unit. **(2)**

(see figure 2)

For further details and information, please refer to the operating manual!

Figure 2



1 Indicator light

2 Electrical interference

3 Warning light

Not possible to continue driving.

Move back brake piston using a diagnostic unit prior to any work on the brake system.

Note position of EOBD connection.

Connect diagnostic unit to diagnostic connection.

Switch on ignition.

Disengage parking brake

Follow the instructions of the diagnostic unit.

After repair work

Follow the instructions of the diagnostic unit.

Carry out basic adjustments using suitable diagnostic unit.

Check fault memory, and delete fault if necessary.

Parking brake emergency unlocking device

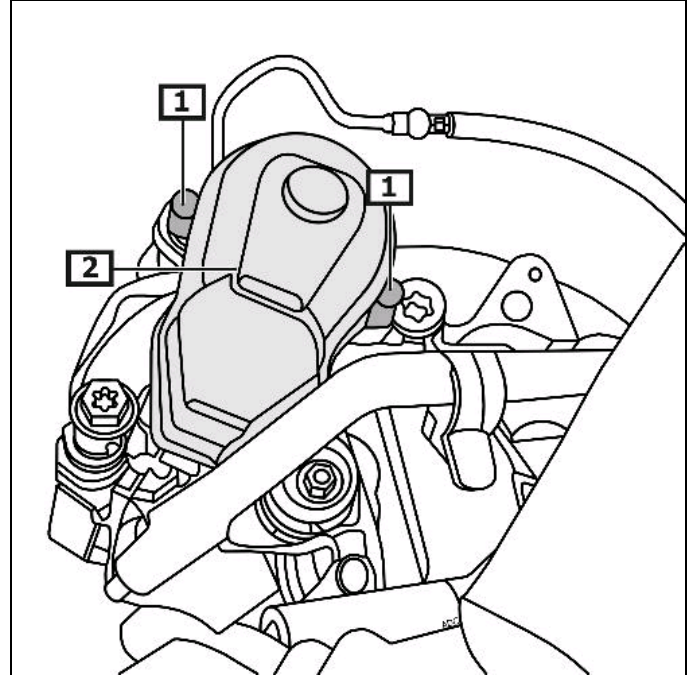
Lift vehicle.

Remove rear wheels.

Unscrew screw(s). **(1)**

Remove the actuator(s). **(2)**
(see figure 3)

Figure 3



1 Holding screw(s)

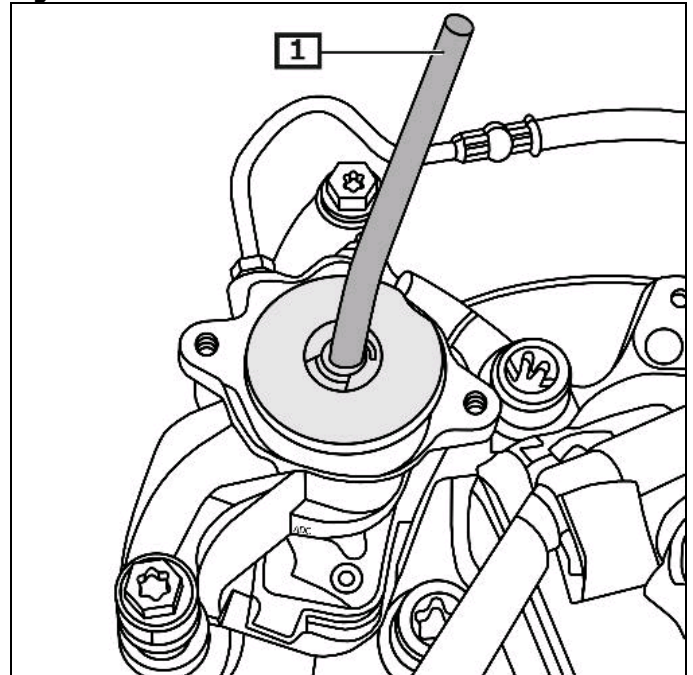
2 Servomotor(s)

Reset brake piston by turning the adjusting screw.

Check brake disc for free movement.

(see figure 4)

Figure 4



1 Socket wrench