



OPEL ASTRA J, VAUXHALL ASTRA Mk VI (J)



WARNING

Health risk!

Inhalation of brake dusts may result in serious damage to the respiratory organs!

Do not clean brake components with compressed air.

Use brake cleaner fluid.

General reference notes

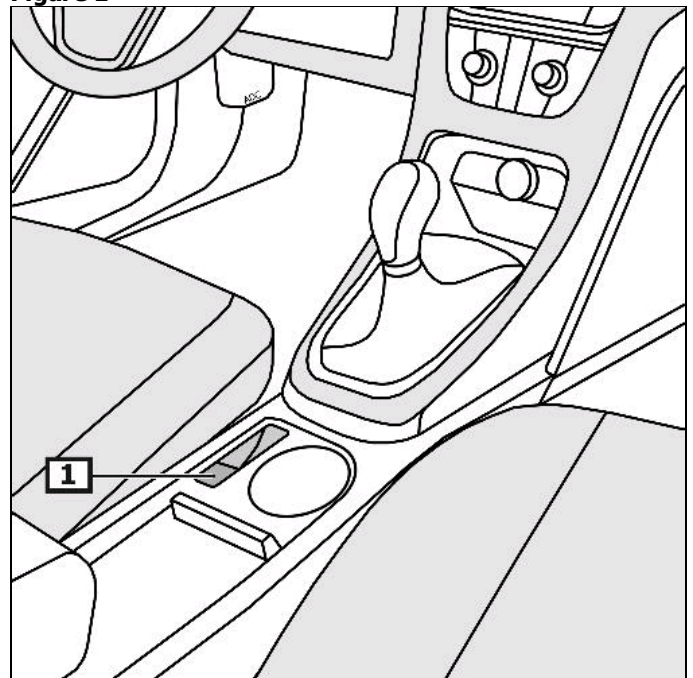
The control unit with the parking brake servomotor is located under the wheel arch liner, rear left.

The switch for the parking brake is located in the center console.

(1)

(see figure 1)

Figure 1



1 Parking brake switch

Display/operation

Engage parking brake

Pull parking brake switch.

Disengage parking brake

Switch on ignition.

Press parking brake switch and simultaneously operate brake pedal.

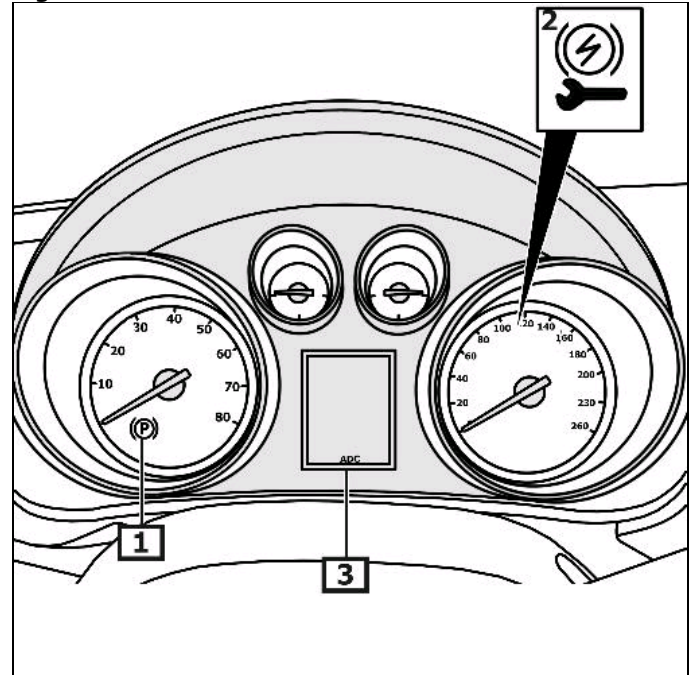
The yellow indicator light goes on when errors occur that impair operating or traffic safety.

Read off error code on display. **(3)**

(see figure 2)

For further details and information, please refer to the operating manual!

Figure 2



1 Indicator light

2 Fault indicator light

3 Instrument cluster display

Parking brake emergency unlocking device

Lift vehicle.

Remove the wheel arch liner rear left.

Remove the rubber plugs.

Use unsuitable tool.

Release the tensioning device.

Figure 3

