



MAZDA 6 Kombi (GJ, GH), 6 Stufenheck (GJ, GH)



WARNING

Health risk!

Inhalation of brake dusts may result in serious damage to the respiratory organs!

Do not clean brake components with compressed air.

Use brake cleaner fluid.

Note(s)

Secure vehicle against rolling away.

General reference notes

The parking brake servomotors are located at the rear brake calipers.

The switch for the parking brake is located in the center console.

(1)

(see figure 1)

Display/operation

Engage parking brake

Pull parking brake switch. **(1)**

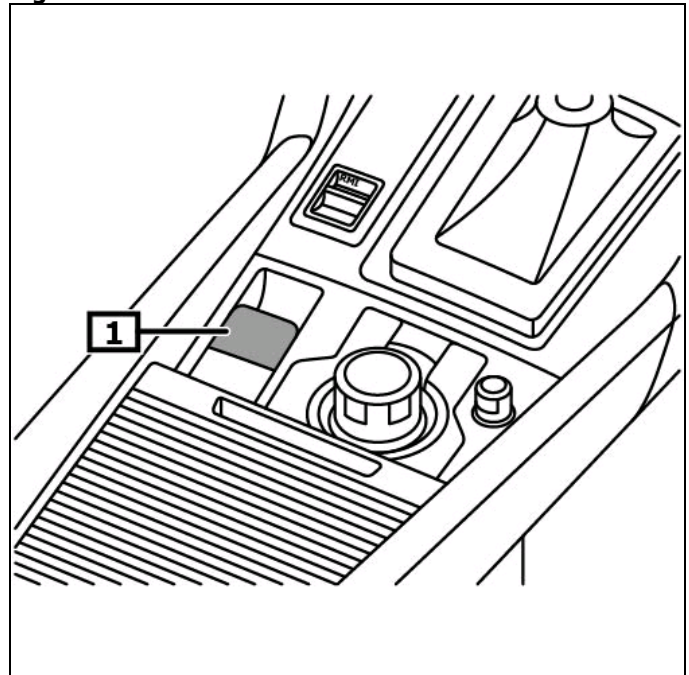
Disengage parking brake

Apply brake pedal and press parking brake switch. **(1)**

(see figure 1)

For further details and information, please refer to the operating manual!

Figure 1



1 Parking brake switch

Enable service mode

Activate the parking brake service mode before starting to work on the brake system.

Switch on ignition.

Disengage parking brake

Carry out following work within 5 seconds:

Press parking brake switch.

Fully depress accelerator pedal.

Switch off ignition.

Press parking brake switch.

Fully depress accelerator pedal.

Switch on ignition.

Electromechanical parking brake indicator lights up orange.

Maintenance mode is enabled.

Switch off ignition.

Disable service mode

After repair work

Switch on ignition.

Carry out following work within 5 seconds:

Pull parking brake switch.

Fully depress accelerator pedal.

Switch off ignition.

Pull parking brake switch.

Fully depress accelerator pedal.

Switch on ignition.

Electromechanical parking brake indicator lights must go out.

Maintenance mode is disabled.

Switch off ignition.

Required torques

Parking brake servomotor (1)	(see figure 2)	Use new screw(s).	with electric parking brake 10 - 13 Nm
------------------------------	----------------	-------------------	---

Parking brake emergency unlocking device

Secure vehicle against rolling away.

Disengage parking brake

Switch off ignition.

Disconnect the electric plug connection(s) on the servomotor.

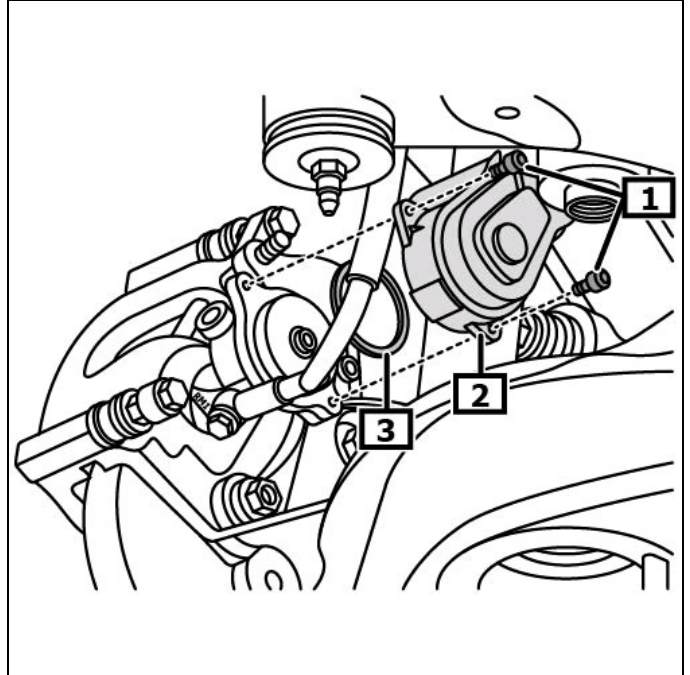
Unscrew screw(s). **(1)**

Carefully remove servomotor from brake caliper. **(2)**

Replace sealing ring(s). (3)

(see figure 2)

Figure 2



1 Screw(s)

2 Parking brake servomotor

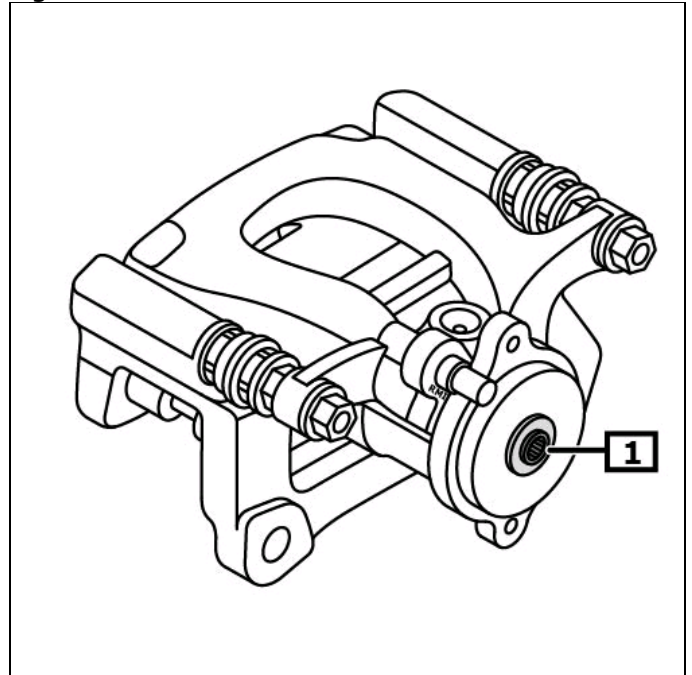
3 Sealing ring(s)

Turn back spindle clockwise until wheel can be turned freely. **(1)**
Use unsuitable tool.
(see figure 3)

Installation in reverse order of removal.

Check parking brake for function.

Figure 3



1 Spindle