



**WARNING**

Health risk!

Inhalation of brake dusts may result in serious damage to the respiratory organs!

Do not clean brake components with compressed air.

Use brake cleaner fluid.

**Note(s)**

Move back brake piston using the diagnostic unit prior to any work on the brake system.

Secure vehicle against rolling away.

**General reference notes**

The parking brake servomotors are located at the rear brake calipers.

The switch for the parking brake is located in the center console.

(1)

(see figure 1)

**Display/operation**

**Engage parking brake**

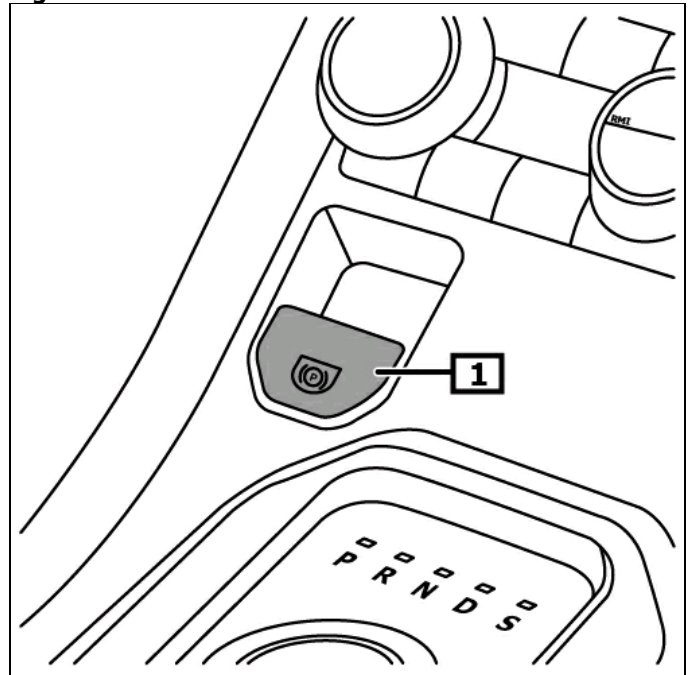
Pull parking brake switch. (1)

**Disengage parking brake**

Apply brake pedal and press parking brake switch. (1)

(see figure 1)

Figure 1



1 Parking brake switch

The parking brake releases automatically as soon as the vehicle is being driven in the 1st gear or when reversing.

### **Vehicles with automatic gearbox**

Parking brake engages automatically when selector lever is in P position.  
Parking brake releases automatically when selector lever is pulled up in P position.

### **Parking brake automatically releases if following conditions are fulfilled:**

- Driver's seat belt is buckled or driver's door shut.
- Brake pedal is applied.
- Engine is running.

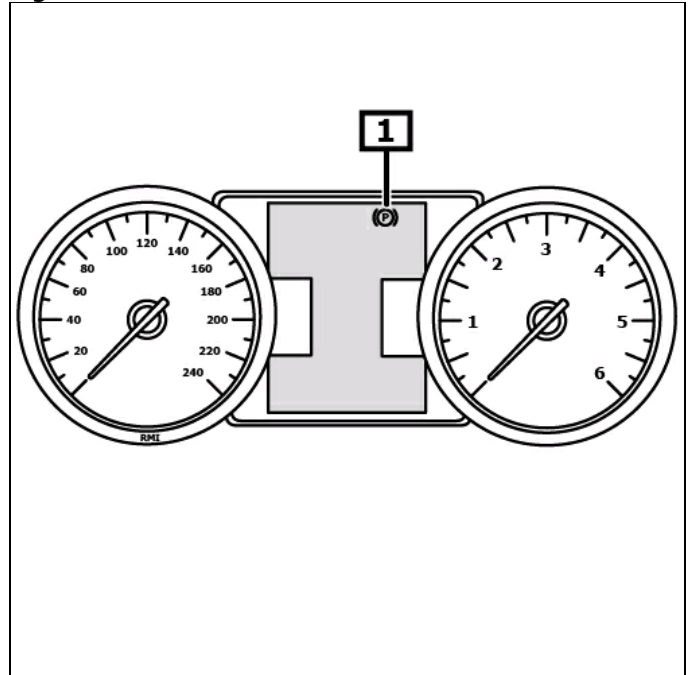
### **Continuation for all vehicles**

**Attention! The electromechanical parking brake can be actuated with the ignition switched off but it cannot be released.**

The red warning light goes on when errors occur that greatly impair operating or traffic safety. **(1)**  
If the indicator light remains lit, or lights up while driving, an error is present. **(1)**  
**(see figure 2)**

**For further details and information, please refer to the operating manual!**

**Figure 2**



**1 Electromechanical parking brake indicator light**

## **Enable service mode**

**Activate the parking brake service mode before starting to work on the brake system.**

Switch on ignition.

Press parking brake switch for 2 seconds.

Operate accelerator pedal fully and keep this position for 2 seconds.

Switch the ignition off and on again.

Adjustment is successful when noise can be heard.

## **After repair work**

Carry out basic adjustments using suitable diagnostic unit.

## **Required torques**

Parking brake servomotor (1) (see figure 3)	Use new screw(s).	11 Nm
---	-------------------	-------

## **Parking brake emergency unlocking device**

Secure vehicle against rolling away.

**Disconnect battery.**

**Lift vehicle.**

Remove rear wheels.

Disconnect the electric plug connection(s) on the servomotor.

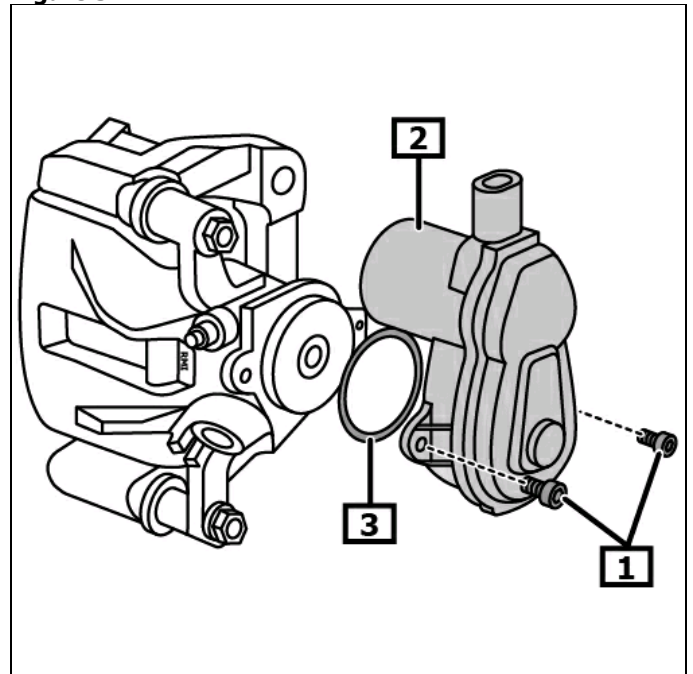
Unscrew screw(s). (1)

**Replace sealing ring(s). (3)**

Carefully remove servomotor from brake caliper. (2)

(see figure 3)

Figure 3



1 Screw(s)

2 Parking brake servomotor

3 Sealing ring(s)

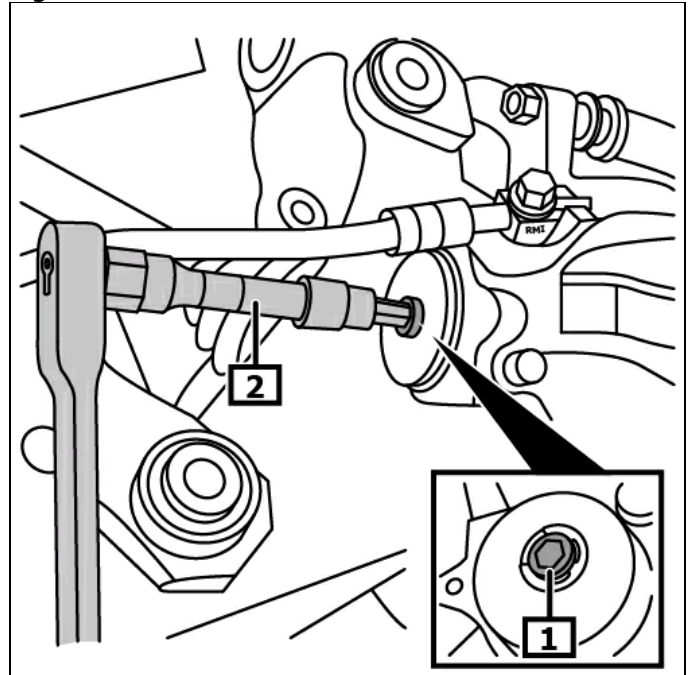
Turn back spindle clockwise until wheel can be turned freely. **(1)**  
Use unsuitable tool. **(2)**  
**(see figure 4)**

**Installation in reverse order of removal.**

**Carry out basic adjustments using suitable diagnostic unit.**

**Note position of EOBD connection.**

**Figure 4**



**1 Spindle**

**2 Tool(s)**