



KIA CARENS IV (RP), CEE'D (JD), CEE`D Sportswagon (JD), PRO CEE`D (JD)



WARNING

Health risk!

Inhalation of brake dusts may result in serious damage to the respiratory organs!

Do not clean brake components with compressed air.

Use brake cleaner fluid.

NOTE

Move back brake piston using the diagnostic unit prior to any work on the brake system.

Note position of EOBD connection.

The illustrations of these installation instructions are exemplary and are only intended for better understanding.

General reference notes

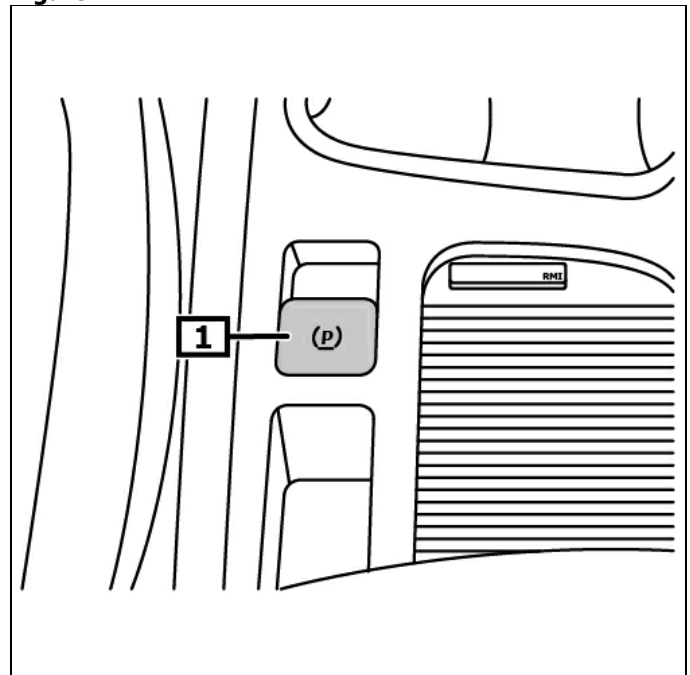
The parking brake servomotors are located at the rear brake calipers.

The switch for the parking brake is located in the center console.

(1)

(see figure 1)

Figure 1



1 Parking brake switch

Display/operation

Engage parking brake

Pull parking brake switch. **(1)**

Disengage parking brake

Press parking brake switch and simultaneously operate brake pedal. **(1)**

(see figure 1)

The parking brake releases automatically as soon as the vehicle is being driven in the 1st gear or when reversing.

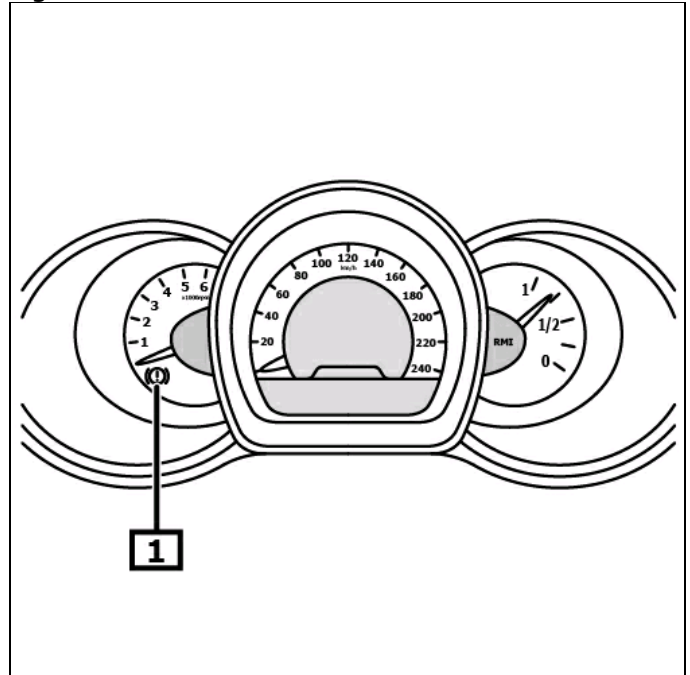
Attention! The electromechanical parking brake can be actuated with the ignition switched off but it cannot be released.

If the indicator light remains lit, or lights up while driving, an error is present. **(1)**

(see figure 2)

For further details and information, please refer to the operating manual!

Figure 2



1 Brake system warning light

Move back brake piston using the diagnostic unit prior to any work on the brake system.

Note position of EOBD connection.

Connect diagnostic unit to diagnostic connection.
Switch on ignition.
Disengage parking brake

Follow the instructions of the diagnostic unit.

After repair work

Follow the instructions of the diagnostic unit.

Carry out basic adjustments using suitable diagnostic unit.
Check fault memory, and delete fault if necessary.

Parking brake emergency unlocking device

Secure vehicle against rolling away.

Lift vehicle.

Remove rear wheels.

Disconnect the electric plug connection(s) on the servomotor.

Unscrew screw(s). **(1)**

Carefully remove servomotor from brake caliper. **(2)**

Turn back spindle clockwise until wheel can be turned freely. **(3)**

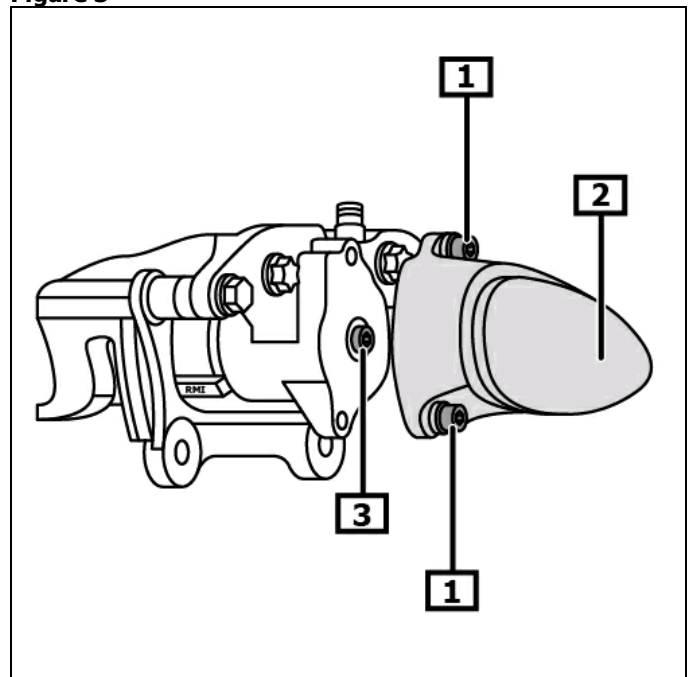
(see figure 3)

Installation in reverse order of removal.

Check brake disk(s) for free movement.

Carry out parking brake basic adjustment.

Figure 3



1 Screw(s)

2 Parking brake servomotor

3 Spindle