



HYUNDAI SANTA FÉ III (DM), GRAND SANTA FÉ



WARNING

Health risk!

Inhalation of brake dusts may result in serious damage to the respiratory organs!

Do not clean brake components with compressed air.

Use brake cleaner fluid.

Note:

Disconnect the battery prior to any work on the parking brake system.

General reference notes

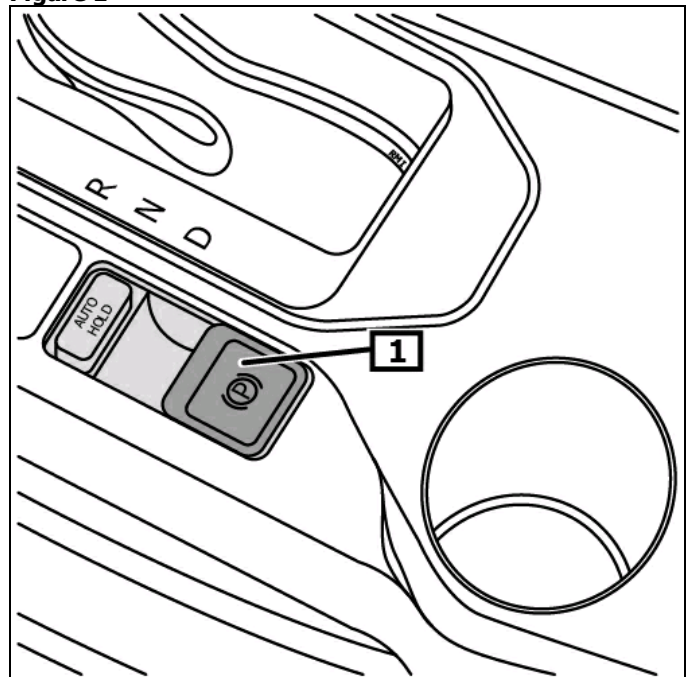
Parking brake servomotor sits on the rear axle carrier.

The switch for the parking brake is located in the center console.

(1)

(see figure 1)

Figure 1



1 Parking brake switch

Display/operation

Engage parking brake

Pull parking brake switch. **(1)**

Disengage parking brake

Press parking brake switch and simultaneously operate brake pedal. **(1)**

(see figure 1)

Seat belt fastened.

The parking brake releases automatically as soon as the vehicle is being driven in the 1st gear or when reversing.

Attention! The electromechanical parking brake can be actuated with the ignition switched off but it cannot be released.

The red warning light goes on when errors occur that greatly impair operating or traffic safety. **(1)**

If the indicator light remains lit, or lights up while driving, an error is present. **(1)(2)**

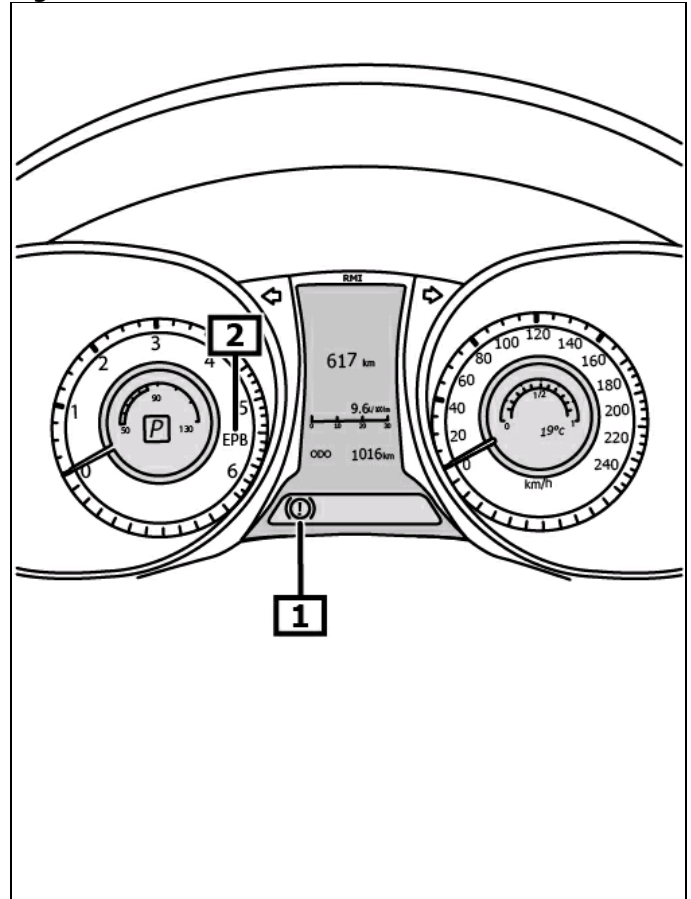
(see figure 2)

For further details and information, please refer to the operating manual!

After repair work

Carry out basic adjustments using suitable diagnostic unit.
Check fault memory, and delete fault if necessary.

Figure 2



1 Brake system warning light

2 Electromechanical parking brake indicator light