



FORD GALAXY (WA6), S-MAX (WA6)



### **WARNING**

**Health risk!**

**Inhalation of brake dusts may result in serious damage to the respiratory organs!**

**Do not clean brake components with compressed air.**

**Use brake cleaner fluid.**

### **NOTE**

**Activate the parking brake service mode before starting to work on the brake system.**

**The illustrations of these installation instructions are exemplary and are only intended for better understanding.**

### **General reference notes**

The parking brake servomotors are located at the rear brake calipers.

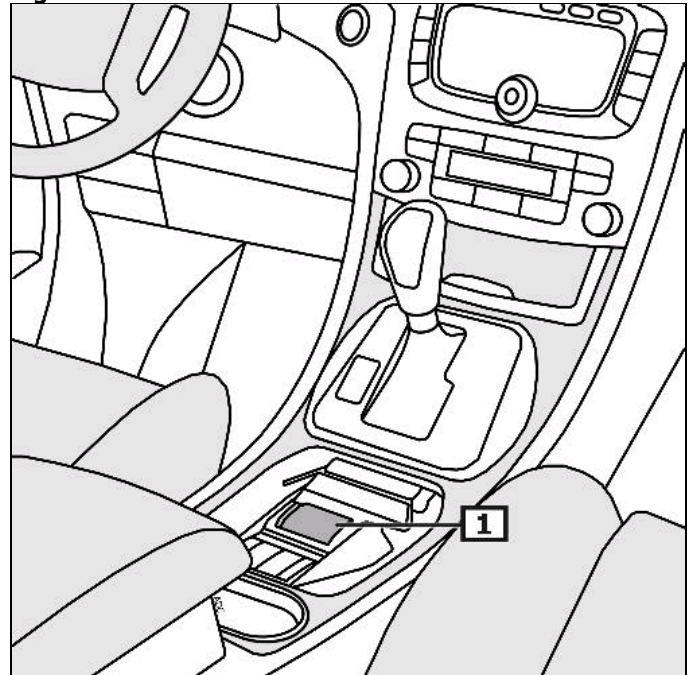
The parking brake control unit is located in the boot left behind the paneling.

The switch for the parking brake is located in the center console.

**(1)**

**(see figure 1)**

**Figure 1**



**1 Parking brake switch**

## Display/operation

### Engage parking brake

*Pull parking brake switch.*

### Disengage parking brake

*Press parking brake switch and simultaneously operate brake pedal.*

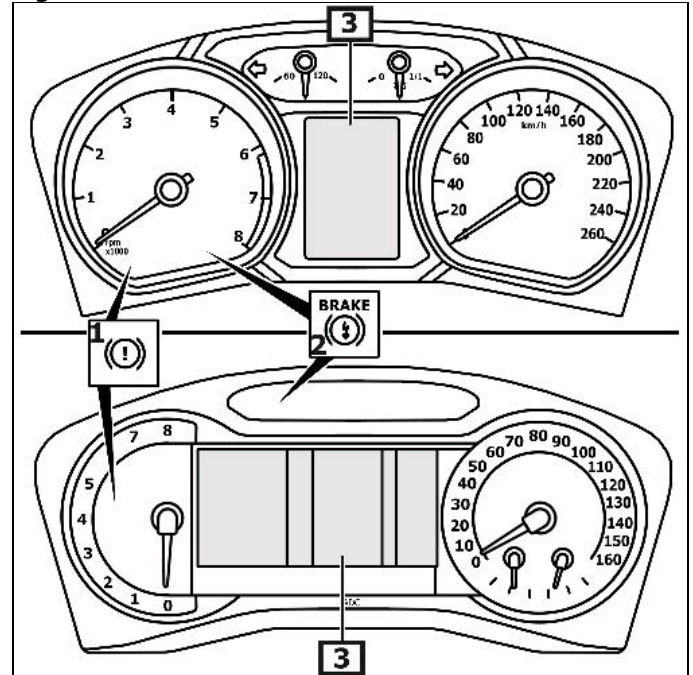
**Attention! The electromechanical parking brake can be actuated with the ignition switched off but it cannot be released.**

The yellow indicator light goes on when errors occur that impair operating or traffic safety. (2)

**(see figure 2)**

**For further details and information, please refer to the operating manual!**

Figure 2



1 Indicator light

2 Warning light

3 Instrument cluster display

**Activate the parking brake service mode before starting to work on the brake system.**

**Note position of EOBD connection.**

Connect diagnostic unit to diagnostic connection.  
Switch on ignition.  
Disengage parking brake

**Follow the instructions of the diagnostic unit.**

**After repair work**

**Follow the instructions of the diagnostic unit.**

Check fault memory, and delete fault if necessary.

**Alternative:**

**Enable service mode**

Turn the ignition key to the II position.  
Fully depress accelerator pedal.  
Press and hold parking brake tip switch depressed.  
Turn the ignition key to the "0" position.  
Turn ignition key into position II within 5 seconds.  
Wait until the brake piston has completely retracted.  
Turn the ignition key to the "0" position.  
Do not operate accelerator pedal.  
Release parking brake switch.

**Disable service mode**

Turn the ignition key to the II position.  
Fully depress accelerator pedal.  
Pull parking brake switch.  
Turn the ignition key to the "0" position.  
Turn ignition key into position II within 5 seconds.  
Wait until the brake piston is completely abut.  
Turn the ignition key to the "0" position.  
Do not operate accelerator pedal.  
Release parking brake switch.

## **Parking brake emergency unlocking device**

### **Lift vehicle.**

Remove rear wheels.

Disconnect the electric plug connection(s) on the servomotor.

**(1)**

Unscrew screw(s). **(2)**

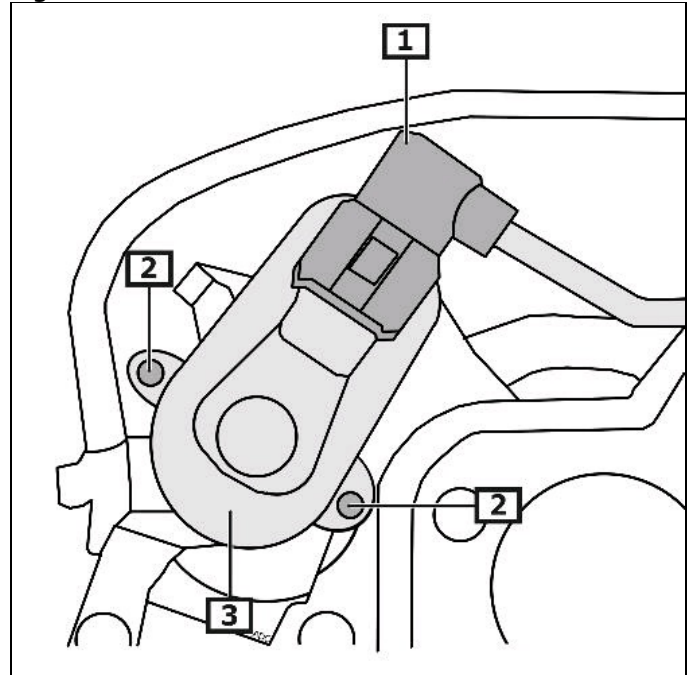
Remove the actuator(s). **(3)**

**(see figure 3)**

Reset brake piston by turning the adjusting screw.

Check brake disc for free movement.

**Figure 3**



**1 Electrical connection(s)**

**2 Servomotor screw(s)**

**3 Servomotor(s)**