



CITROËN C6 (TD_)



WARNING

Health risk!

Inhalation of brake dusts may result in serious damage to the respiratory organs!

Do not clean brake components with compressed air.

Use brake cleaner fluid.

NOTE

Activate the parking brake service mode before starting to work on the brake system.

The illustrations of these installation instructions are exemplary and are only intended for better understanding.

General reference notes

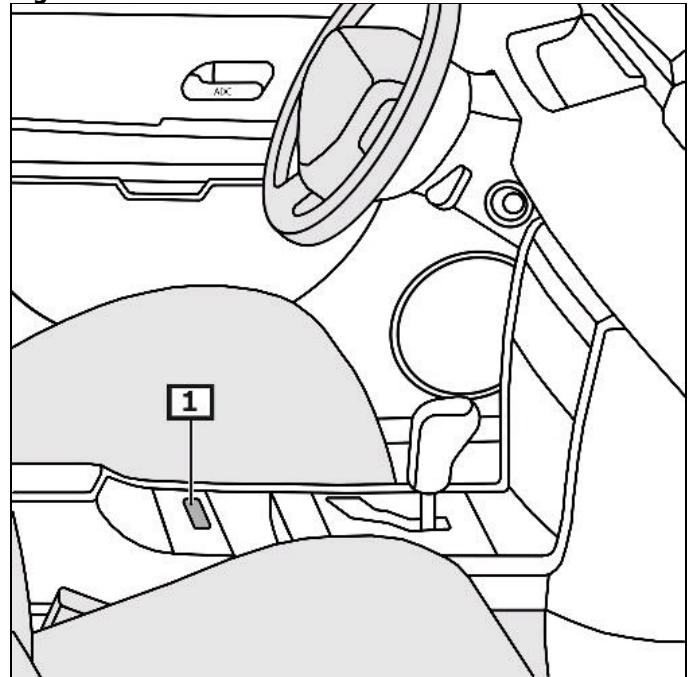
The control unit with the parking brake servomotor is located on the underbody.

The switch for the parking brake is located in the center console.

(1)

(see figure 1)

Figure 1



1 Parking brake switch

Display/operation

Engage parking brake

Pull parking brake switch.

Disengage parking brake

Start engine.

Set selector lever to position "P".

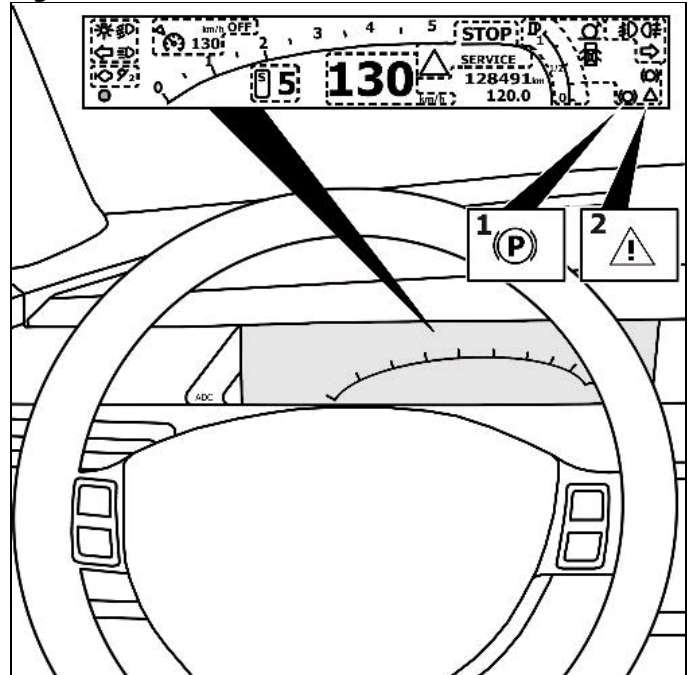
Press parking brake switch and simultaneously apply accelerator pedal or brake pedal.

The yellow indicator light goes on when errors occur that impair operating or traffic safety. **(2)**

(see figure 2)

For further details and information, please refer to the operating manual!

Figure 2



1 Indicator light

2 Fault indicator light

Activate the parking brake service mode before starting to work on the brake system.

Note position of EOBD connection.

Connect diagnostic unit to diagnostic connection.

Switch on ignition.

Disengage parking brake

Follow the instructions of the diagnostic unit.

After repair work

Follow the instructions of the diagnostic unit.

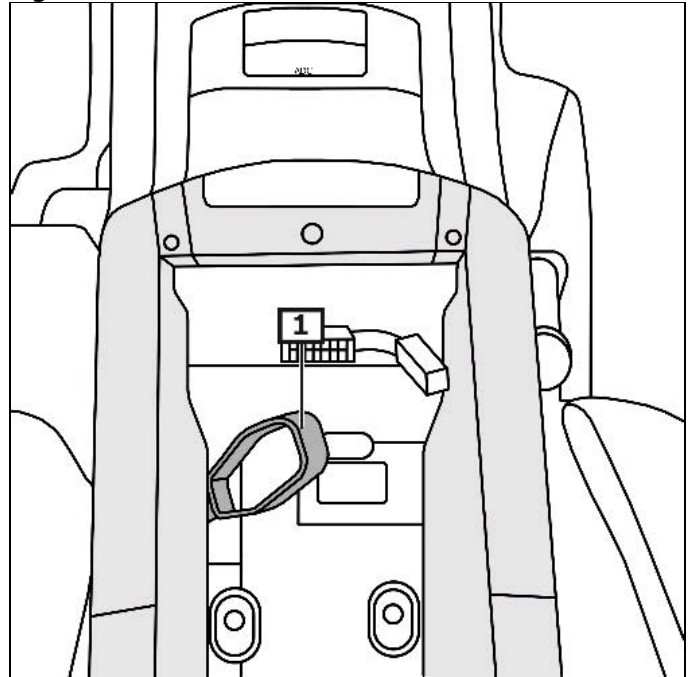
Carry out basic adjustments using suitable diagnostic unit.

Check fault memory, and delete fault if necessary.

Parking brake emergency unlocking device

Secure vehicle with wheel chocks against rolling away.
Fold up armrest.
Remove cover(s).
Pull the Bowden cable to unlock the parking brake. **(1)**
The brake unlocks audibly.
(see figure 3)

Figure 3



1 Cable