



CITROËN C5 III (RD_), C5 III Break (RW_)



WARNING

Health risk!

Inhalation of brake dusts may result in serious damage to the respiratory organs!

Do not clean brake components with compressed air.

Use brake cleaner fluid.

NOTE

Activate the parking brake service mode before starting to work on the brake system.

The illustrations of these installation instructions are exemplary and are only intended for better understanding.

General reference notes

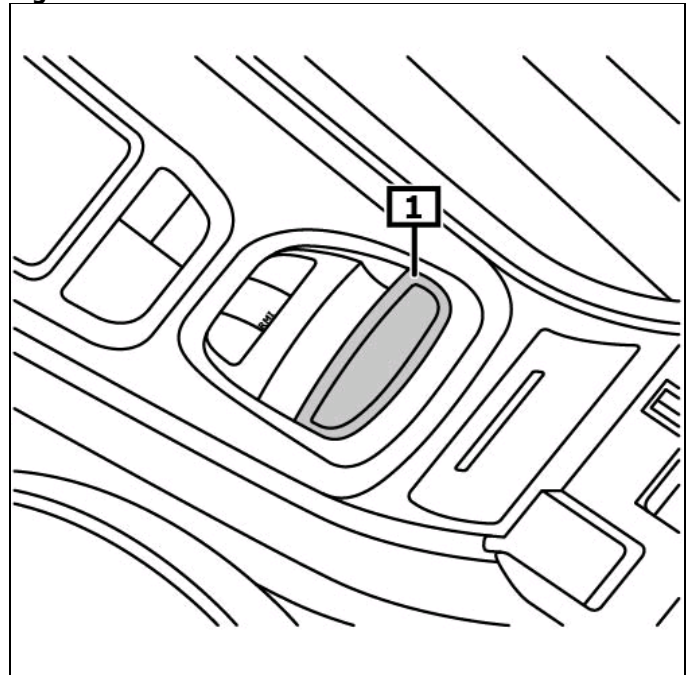
The control unit with the parking brake servomotor is located on the underbody.

The switch for the parking brake is located in the center console.

(1)

(see figure 1)

Figure 1



1 Parking brake switch

Display/operation

Automatic mode

The parking brake is automatically actuated after the engine has been cut with the vehicle being stationary.

The parking brake releases automatically as soon as the vehicle is being driven in the 1st gear or when reversing.

Engage parking brake

Pull parking brake switch.

Disengage parking brake

Pull parking brake switch.

Indicator light signals parking brake malfunction. **(1)**

Indicator light signals defect on parking brake. **(2)**

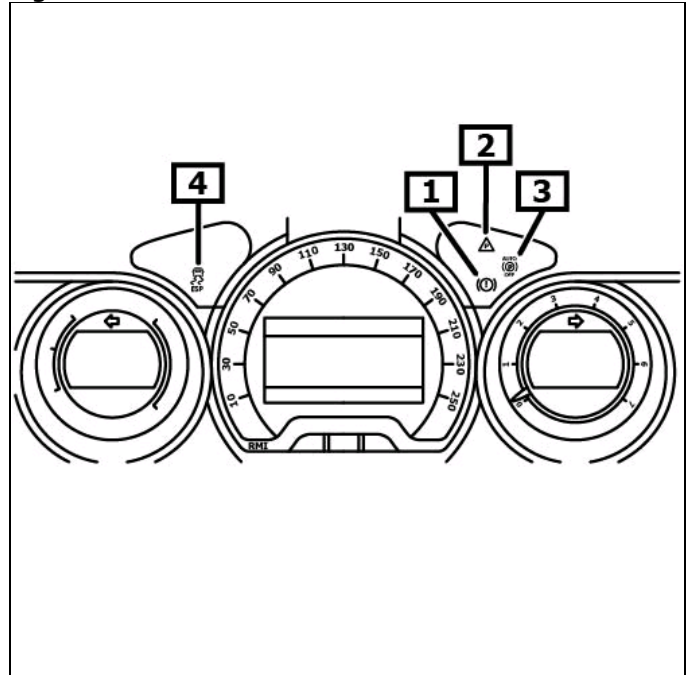
Indicator light signals parking brake malfunction or parking brake auto mode deactivation. **(3)**

Indicator light signals ESP system and emergency braking function malfunction. **(4)**

(see figure 2)

For further details and information, please refer to the operating manual!

Figure 2



1 Warning lamp

2 Indicator light

3 Indicator light

4 Indicator light

Activate the parking brake service mode before starting to work on the brake system.

Note position of EOBD connection.

Connect diagnostic unit to diagnostic connection.

Switch on ignition.

Disengage parking brake

Follow the instructions of the diagnostic unit.

After repair work

Follow the instructions of the diagnostic unit.

Carry out basic adjustments using suitable diagnostic unit.

Check fault memory, and delete fault if necessary.

Disconnect the battery prior to changing the brake linings.

Parking brake emergency unlocking device

Secure vehicle against rolling away.

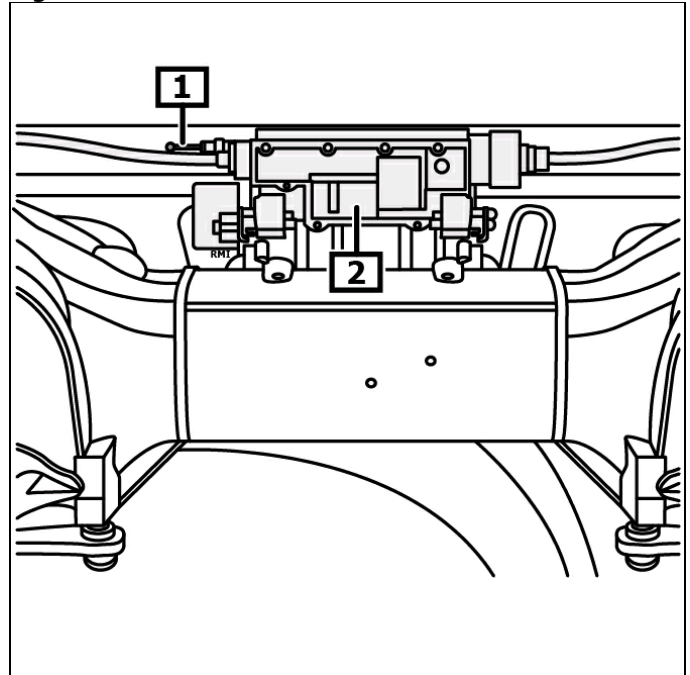
Operate release. **(1)(2)**

(see figure 3)

Carry out parking brake basic adjustment.

Note position of EOBD connection.

Figure 3



1 Release

2 Electromechanical parking brake servomotor