



CITROËN C4 Picasso II (3D\_), C4 Grand Picasso II (3A\_, 3E\_)



### **WARNING**

**Health risk!**

**Inhalation of brake dusts may result in serious damage to the respiratory organs!**

**Do not clean brake components with compressed air.**

**Use brake cleaner fluid.**

### **NOTE**

**Activate the parking brake service mode before starting to work on the parking brake system.**

**Secure vehicle against rolling away.**

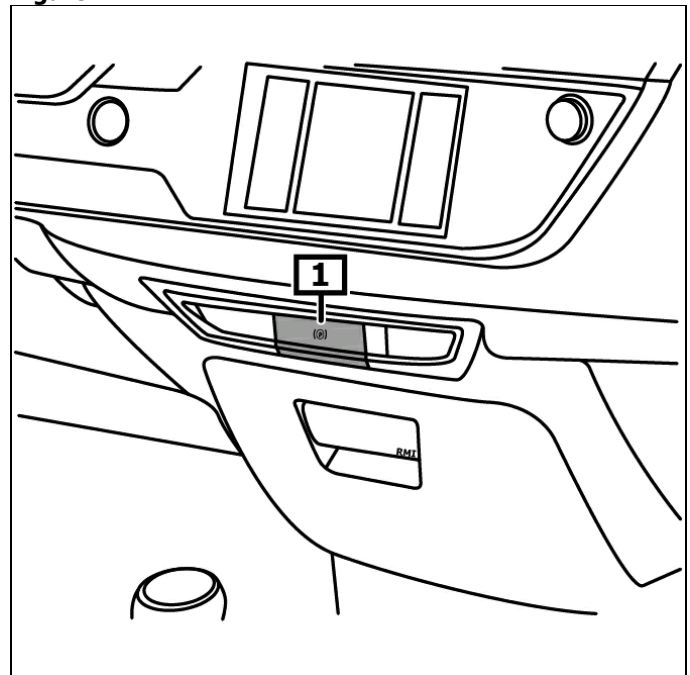
**The illustrations of these installation instructions are exemplary and are only intended for better understanding.**

### **General reference notes**

The control unit with the parking brake servomotor is located under the left front seat.

The parking brake switch is located in the dashboard. **(1)**  
**(see figure 1)**

**Figure 1**



**1 Parking brake switch**

## **Display/operation**

### **Automatic mode**

The parking brake is automatically actuated after the engine has been cut with the vehicle being stationary.

The parking brake releases automatically as soon as the vehicle is being driven in the 1st gear or when reversing.

### **Engage parking brake**

Pull parking brake switch.

### **Disengage parking brake**

Pull parking brake switch.

The red warning light goes on when errors occur that greatly impair operating or traffic safety. **(1)**

The yellow indicator light goes on when errors occur that impair operating or traffic safety. **(1)**

The indicator light indicates the deactivated automatic mode.

**(2)**

Indicator light signals emergency braking function malfunction.

**(3)**

**(see figure 2)**

**For further details and information, please refer to the operating manual!**

### **Activate the parking brake service mode before starting to work on the brake system.**

Switch on ignition.

Activate the parking brake service mode before starting to work on the brake system.

Connect suitable diagnostic unit.

**Note position of EOBD connection.**

### **After repair work**

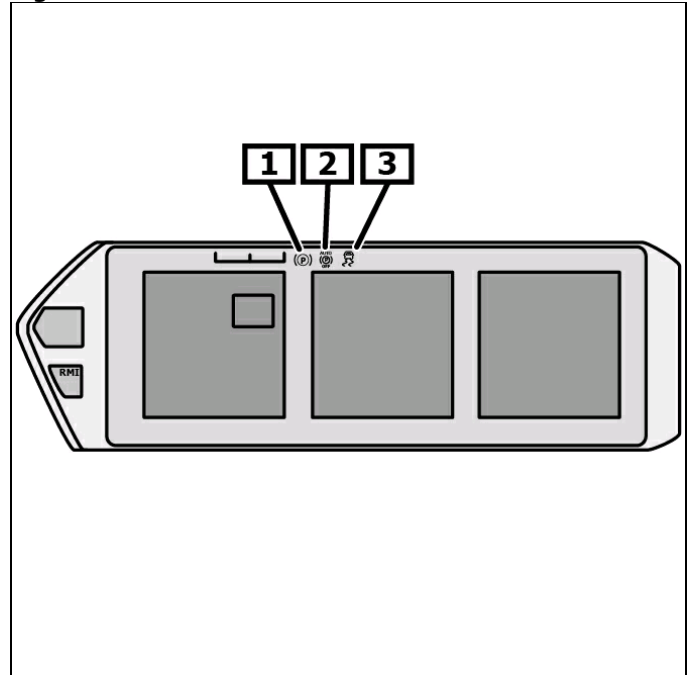
Carry out basic adjustments using suitable diagnostic unit.

**Follow the instructions of the diagnostic unit.**

**Note position of EOBD connection.**

Check fault memory, and delete fault if necessary.

**Figure 2**



**1 Warning lamp**

**2 Indicator light**

**3 Indicator light**

## **Parking brake emergency unlocking device**

**Disconnect battery.**

**Lift vehicle.**

Remove rear wheels.

Disconnect the electric plug connection(s) on the servomotor.

**(1)**

Close electric plug connection using a suitable plug.

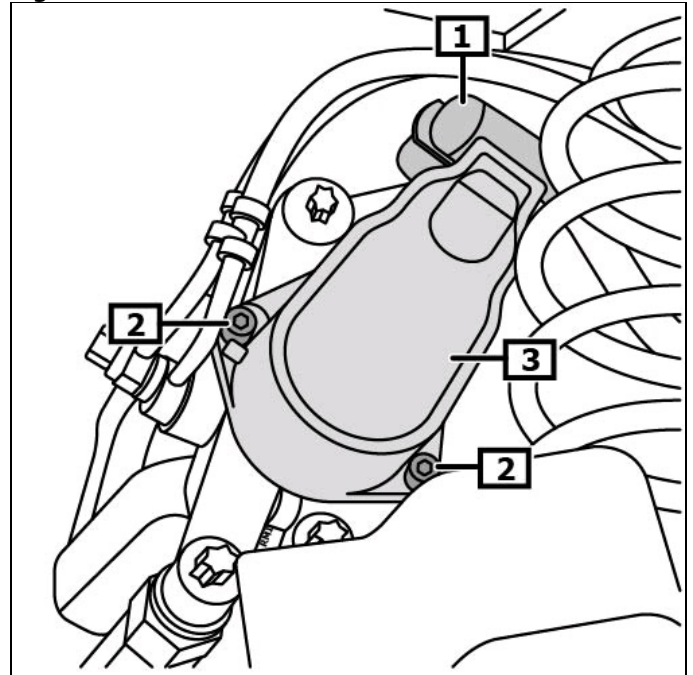
Unscrew screw(s). **(2)**

**Use new screw(s). (2)**

Remove parking brake servomotor from brake caliper. **(3)**

**(see figure 3)**

**Figure 3**



**1 Electric plug connection**

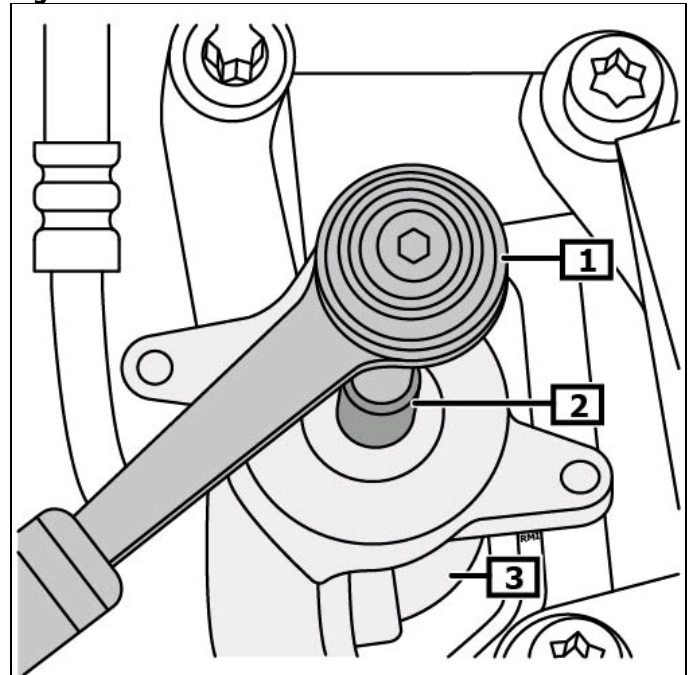
**2 Servomotor screw(s)**

**3 Parking brake servomotor**

Reset brake piston by turning the adjusting screw. **(1)(2)(3)**  
**(see figure 4)**

Check brake disc for free movement.

**Figure 4**



**1 Tool(s)**

**2 Brake piston spindle**

**3 Brake caliper**

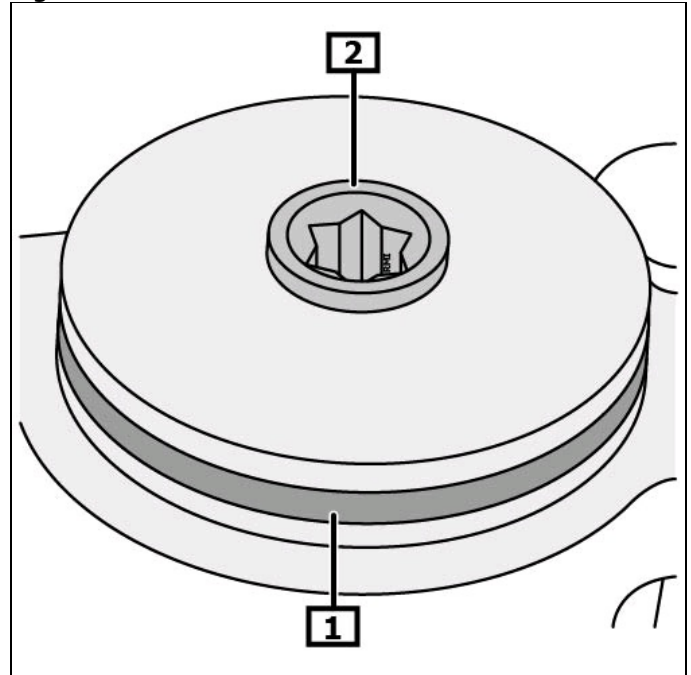
Replace sealing ring(s) **(1)(2)**  
(see figure 5)

**Installation in reverse order of removal.**

**Carry out basic adjustments using suitable diagnostic unit.**

**Note position of EOBD connection.**

**Figure 5**



**1 Sealing ring**

**2 Brake piston spindle**