



CITROËN C4 II (NC\_), DS4 (NX\_)



### **WARNING**

**Health risk!**

**Inhalation of brake dusts may result in serious damage to the respiratory organs!**

**Do not clean brake components with compressed air.**

**Use brake cleaner fluid.**

### **NOTE**

**Activate the parking brake service mode before starting to work on the brake system.**

**The illustrations of these installation instructions are exemplary and are only intended for better understanding.**

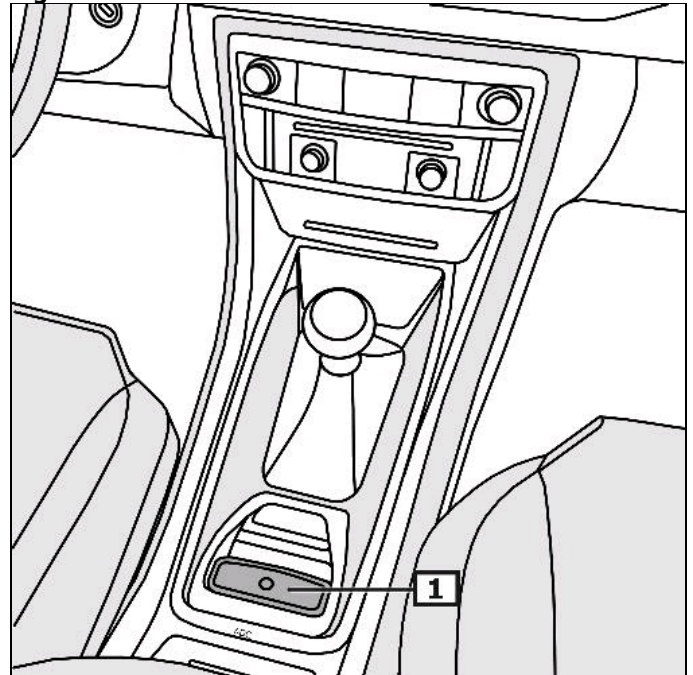
### **General reference notes**

The switch for the parking brake is located in the center console.

**(1)**

**(see figure 1)**

**Figure 1**



**1 Parking brake switch**

## **Display/operation**

### **Automatic mode**

The parking brake is automatically actuated after the engine has been cut with the vehicle being stationary.  
The parking brake releases automatically as soon as the vehicle is being driven in the 1st gear or when reversing.

### **Engage parking brake**

*Pull parking brake switch.*

### **Disengage parking brake**

*Press parking brake switch downward.*

The yellow indicator light goes on when errors occur that impair operating or traffic safety. **(2)**

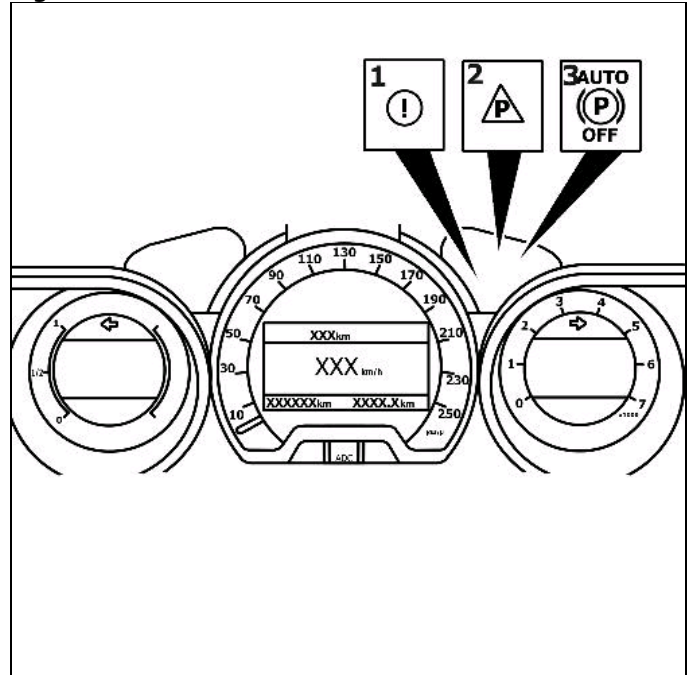
The indicator light indicates the deactivated automatic mode.

**(3)**

**(see figure 2)**

**For further details and information, please refer to the operating manual!**

**Figure 2**



**1 Indicator light**

**2 Fault indicator light**

**3 Indicator light**

**Activate the parking brake service mode before starting to work on the brake system.**

### **Note position of EOBD connection.**

Connect diagnostic unit to diagnostic connection.  
Switch on ignition.  
Disengage parking brake

**Follow the instructions of the diagnostic unit.**

### **After repair work**

#### **Follow the instructions of the diagnostic unit.**

Carry out basic adjustments using suitable diagnostic unit.  
Check fault memory, and delete fault if necessary.

**Disconnect the battery prior to changing the brake linings.**

**Disconnect battery**

## **Parking brake emergency unlocking device**

### **Vehicles with on-board tools**

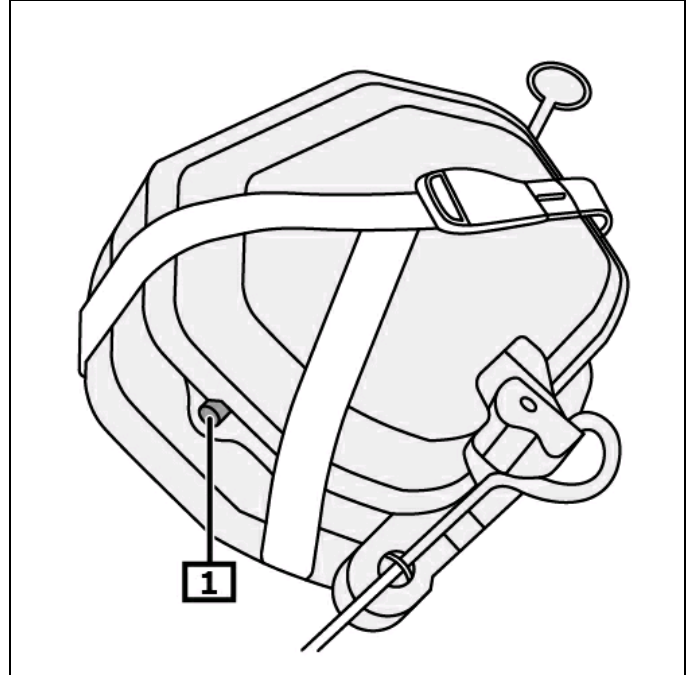
Secure vehicle with wheel chocks against rolling away.

Demount soft trim(s) from boot floor.

Remove plug. **(1)**

**(see figure 3)**

**Figure 3**



**1 Sealing plug**

Use on-board tools.

Rotate release tool clockwise up to the stop. **(1)**

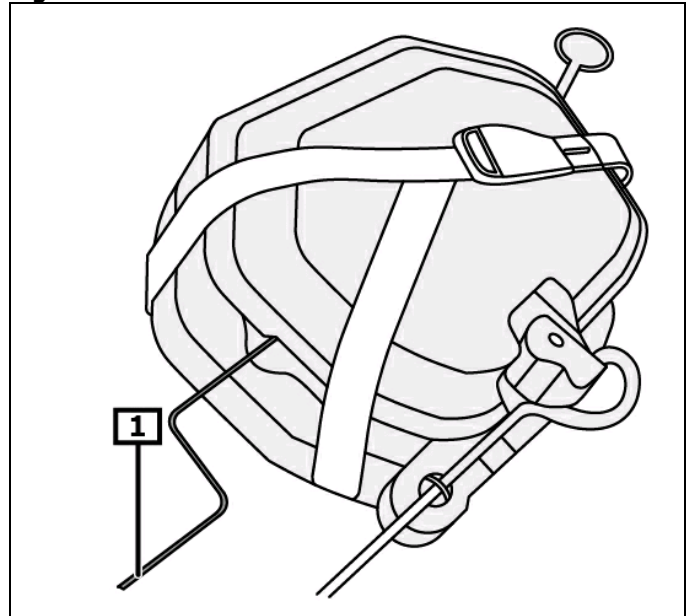
**(see figure 4)**

Insert the stoppers. **(1)**

Re-lay the boot carpet.

**(see figure 3)**

**Figure 4**



**1 Release tool**

## **Parking brake emergency unlocking device**

### **Vehicles without on-board tools**

Secure vehicle against rolling away.

Lift vehicle.

Cut parking brake Bowden cable using appropriate tool. **(1) (2)**  
**(arrow)**  
**(see figure 5)**

### **Carry out parking brake basic adjustment**

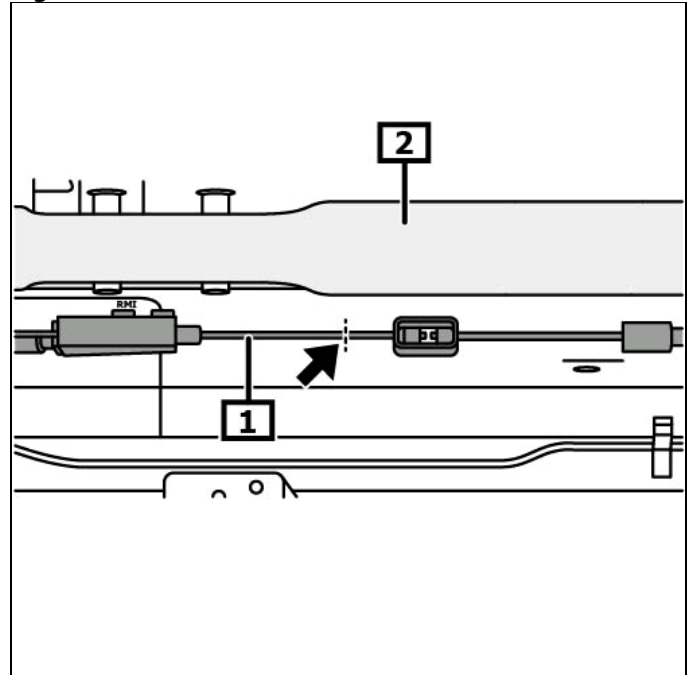
Perform calibration using appropriate diagnostic unit.

**Note position of EOBD connection.**

Check fault memory, and delete fault if necessary.

Carry out a functional check.

Figure 5



1 Parking brake cable

2 rear axle