



BMW X6 (E71, E72)



### **WARNING**

**Health risk!**

**Inhalation of brake dusts may result in serious damage to the respiratory organs!**

**Do not clean brake components with compressed air.**

**Use brake cleaner fluid.**

### **NOTE**

**Activate the parking brake service mode before starting to work on the parking brake system.**

**Secure vehicle against rolling away.**

**The illustrations of these installation instructions are exemplary and are only intended for better understanding.**

### **General reference notes**

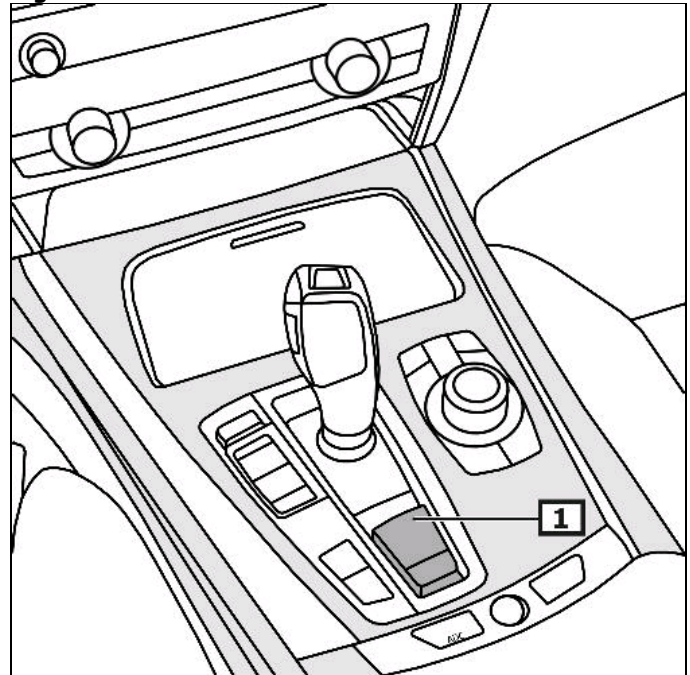
The control unit with the parking brake servomotor is located on the underbody.

The switch for the parking brake is located in the center console.

**(1)**

**(see figure 1)**

**Figure 1**



**1 Parking brake switch**

## **Display/operation**

### **Engage parking brake**

Pull parking brake switch. **(1)**

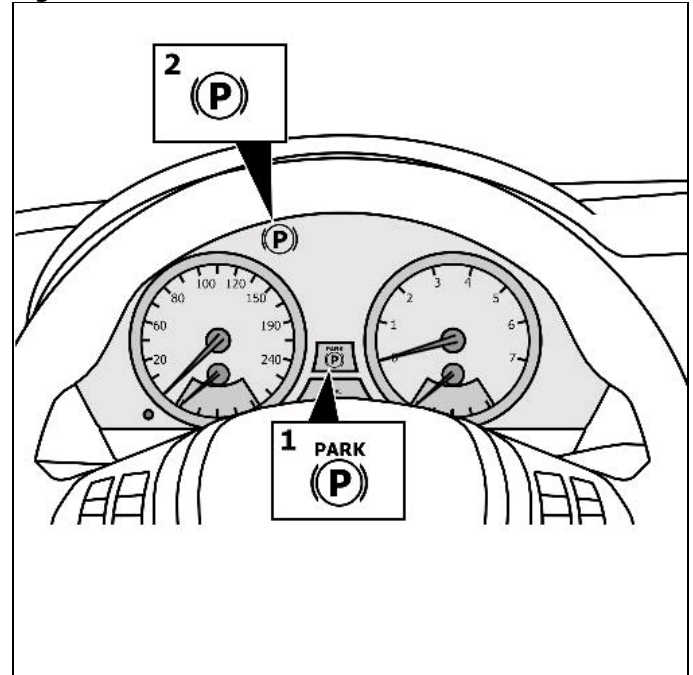
### **Disengage parking brake**

Press parking brake switch downward. **(1)**  
**(see figure 1)**

The yellow indicator light goes on when errors occur that impair operating or traffic safety. **(2)**  
Read off error code on display.  
**(see figure 2)**

**For further details and information, please refer to the operating manual!**

**Figure 2**



**1 Indicator light**

**2 Fault indicator light**

## **Activate parking brake service mode before performing any work on the parking braking system**

### **Note position of EOBD connection.**

Connect diagnostic unit to diagnostic connection.  
Switch on ignition.  
Disengage parking brake

**Follow the instructions of the diagnostic unit.**

### **After repair work**

**Follow the instructions of the diagnostic unit.**

### **Establish basic adjustment.**

Switch on ignition.  
Press parking brake switch and simultaneously operate brake pedal.

Check fault memory, and delete fault if necessary.

## **Carry out brake test on test stand.**

Drive vehicle onto test stand with rear wheels.  
Set selector lever to position N.  
Switch off engine.  
Switch on ignition.  
Disengage electromechanical parking brake.

Perform brake test on the roller test stand.  
Apply the electromechanical parking brake.  
Pull parking brake switch. **(1)**

Disengage electromechanical parking brake.  
Press parking brake switch and simultaneously operate brake pedal. **(1)**  
**(see figure 1)**

## **Parking brake emergency unlocking device**

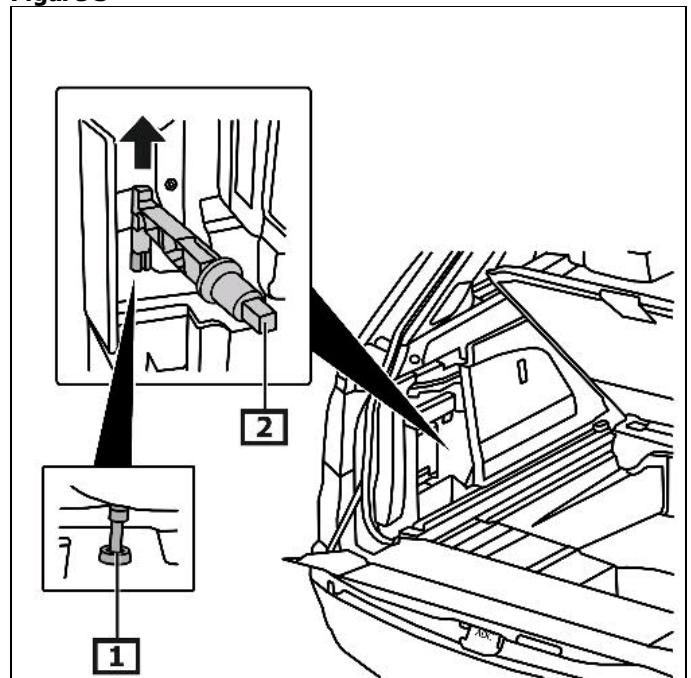
Use on-board tools. **(2)**  
Secure vehicle with wheel chocks against rolling away.  
Demount boot compartment paneling at the side.  
Pull the Bowden cable to unlock the parking brake. **(1) (in the direction of the arrow)**  
**(see figure 3)**

The brake unlocks audibly.

### **Perform basic setting**

Switch on ignition.  
Press parking brake switch and simultaneously operate brake pedal.

Figure 3



1 Parking brake cable

2 Release tool