



BMW X5 (F15, F85)



### **WARNING**

**Health risk!**

**Inhalation of brake dusts may result in serious damage to the respiratory organs!**

**Do not clean brake components with compressed air.**

**Use brake cleaner fluid.**

### **NOTE**

**Activate the parking brake service mode before starting to work on the parking brake system.**

**Secure vehicle against rolling away.**

**The illustrations of these installation instructions are exemplary and are only intended for better understanding.**

### **General reference notes**

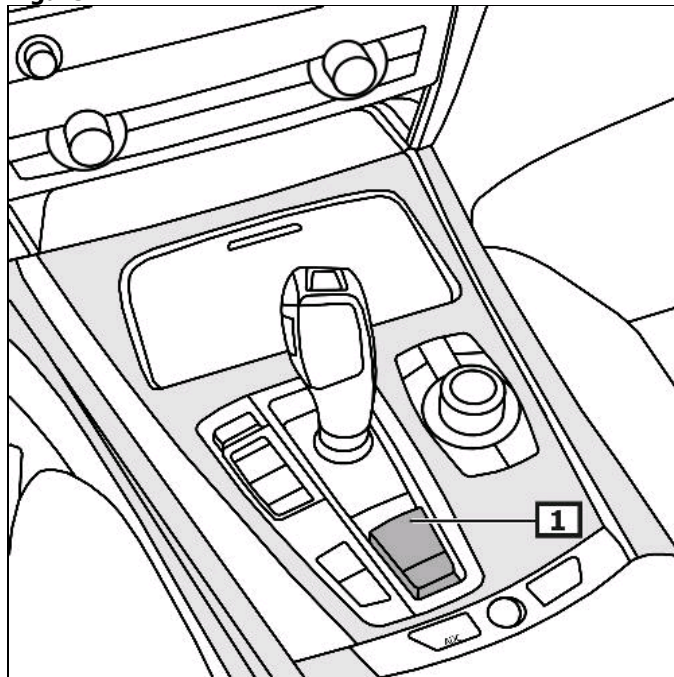
The control unit with the parking brake servomotor is located on the underbody.

The switch for the parking brake is located in the center console.

**(1)**

**(see figure 1)**

**Figure 1**



**1 Parking brake switch**

## **Display/operation**

### **Engage parking brake**

Pull parking brake switch. **(1)**  
**(see figure 1)**

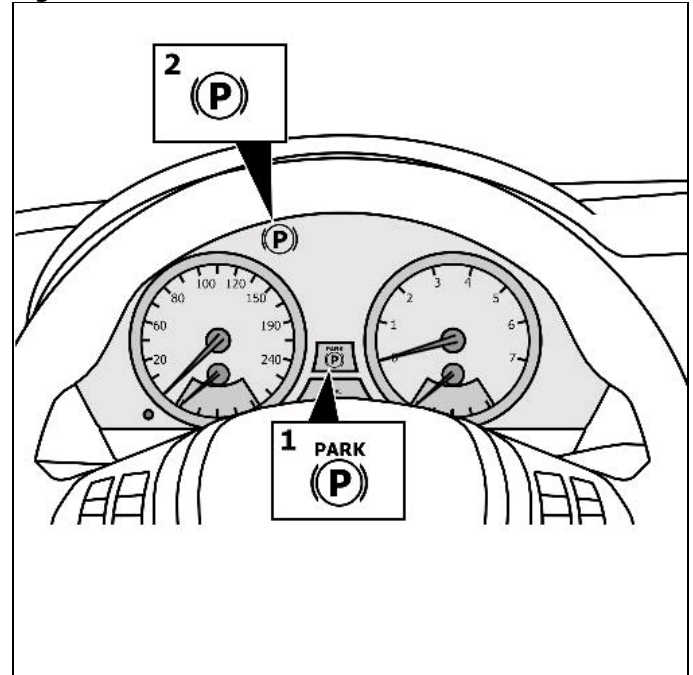
### **Disengage parking brake**

Press parking brake switch downward. **(1)**  
**(see figure 1)**

The yellow indicator light goes on when errors occur that impair operating or traffic safety. **(2)**  
Read off error code on display.  
**(see figure 2)**

**For further details and information, please refer to the operating manual!**

**Figure 2**



**1 Indicator light**

**2 Fault indicator light**

## **Activate parking brake service mode before performing any work on the parking braking system**

### **Note position of EOBD connection.**

Connect diagnostic unit to diagnostic connection.  
Switch on ignition.  
Disengage parking brake

**Follow the instructions of the diagnostic unit.**

### **After repair work**

**Follow the instructions of the diagnostic unit.**

### **Perform basic setting**

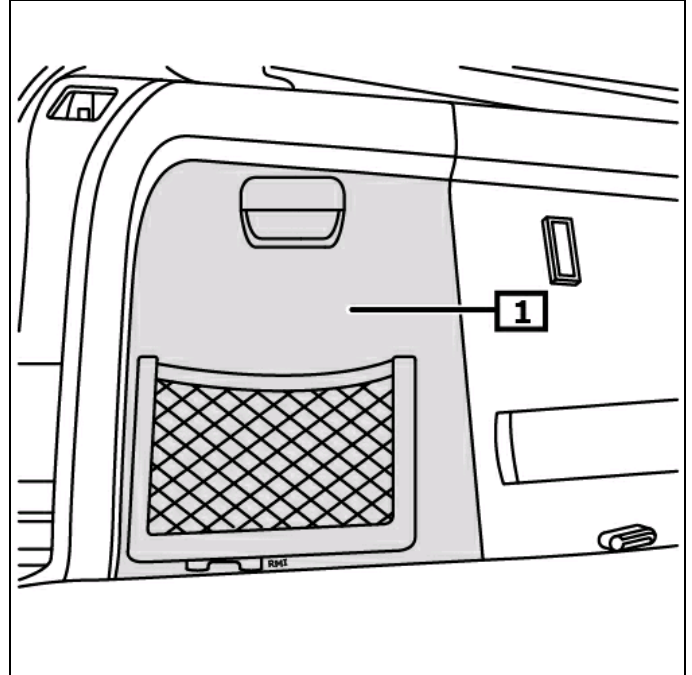
Switch on ignition.  
Press parking brake switch and simultaneously operate brake pedal.

Check fault memory, and delete fault if necessary.

## **Parking brake emergency unlocking device**

Demount boot compartment paneling at the side. **(1)**  
**(see figure 3)**

**Figure 3**



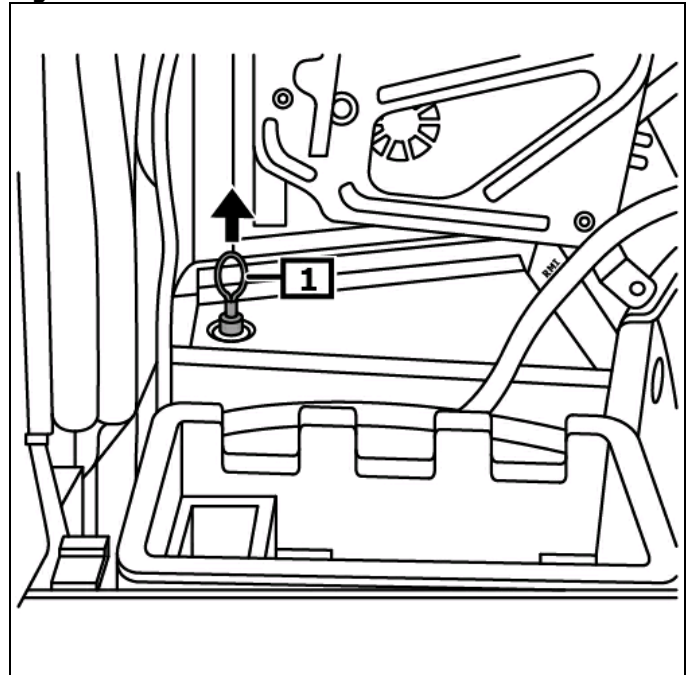
**1** Boot compartment paneling(s)

Use on-board tools.  
Secure vehicle with wheel chocks against rolling away.  
Pull the Bowden cable to unlock the parking brake. **(arrow)**  
The brake unlocks audibly.  
**(see figure 4)**

### **Establish basic adjustment.**

Switch on ignition.  
Press parking brake switch and simultaneously operate brake pedal.

**Figure 4**



**1** Parking brake cable