



BMW X3 (F25)



WARNING

Health risk!

Inhalation of brake dusts may result in serious damage to the respiratory organs!

Do not clean brake components with compressed air.

Use brake cleaner fluid.

NOTE

Activate the parking brake service mode before starting to work on the parking brake system.

The illustrations of these installation instructions are exemplary and are only intended for better understanding.

General reference notes

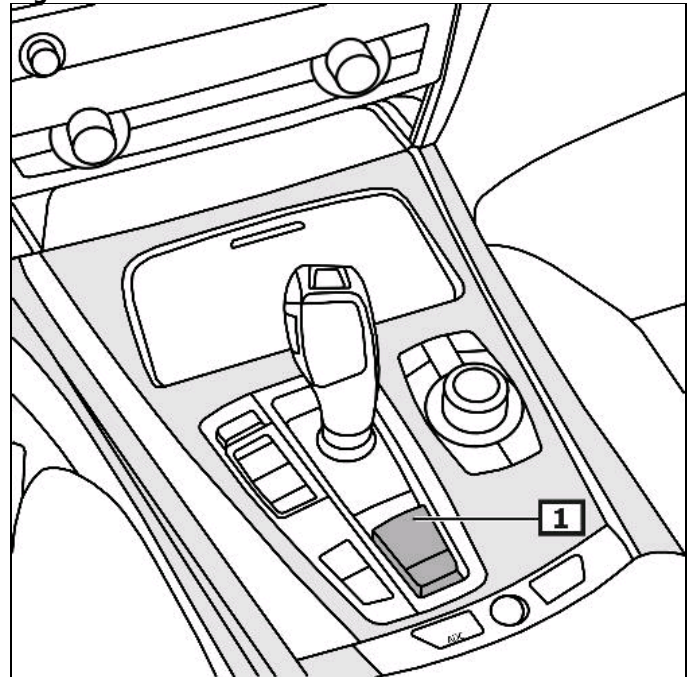
The parking brake control unit is located on the boot floor.

The switch for the parking brake is located in the center console.

(1)

(see figure 1)

Figure 1



1 Parking brake switch

Display/operation

Engage parking brake

Pull parking brake switch.

Disengage parking brake

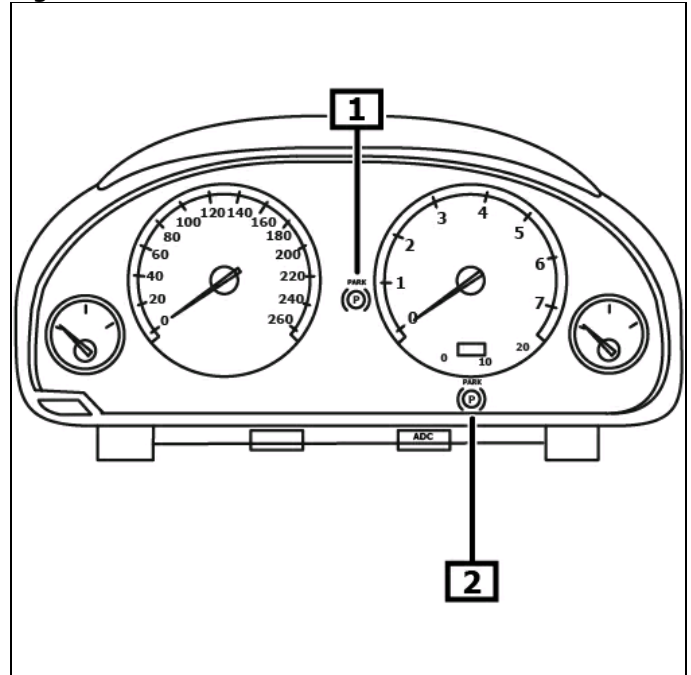
Press parking brake switch downward.

The warning lamp lights up when errors occur that impair operating or traffic safety. **(1)**

The fault lamp is additionally on. **(2)**
(see figure 2)

For further details and information, please refer to the operating manual!

Figure 2



1 Warning lamp

2 Fault lamp

Enable service mode

Activate parking brake service mode before performing any work on the parking braking system

Connect diagnostic unit to diagnostic connection.

Switch on ignition.

Disengage parking brake

Follow the instructions of the diagnostic unit.

Disable service mode

Follow the instructions of the diagnostic unit.

Parking brake emergency unlocking device

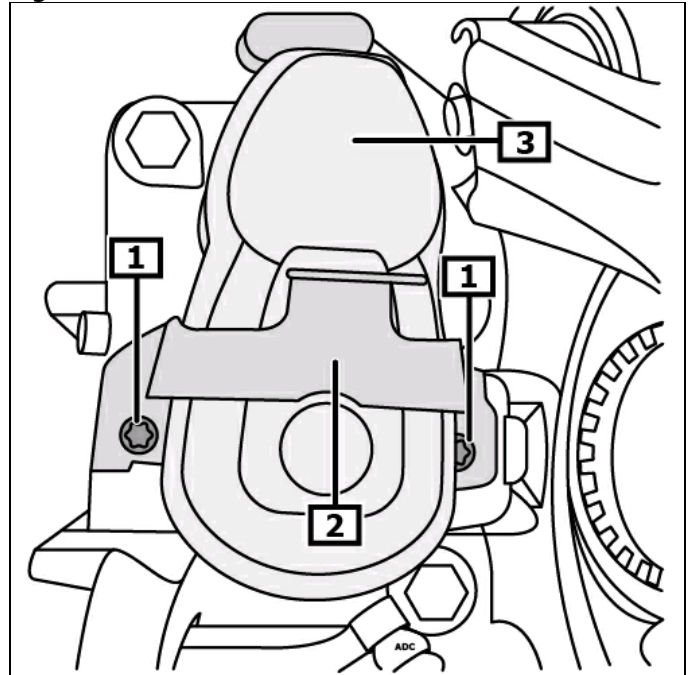
Remove:

Disengage parking brake
Switch off ignition.
Secure vehicle against rolling away.

Disconnect multiple connection plug from servomotor 30 seconds earliest after ignition has been switched off.

Disconnect the electric plug connection(s) on the servomotor.
Unscrew screw(s). **(1)**
Remove the holder. **(2)**
Carefully remove servomotor from brake caliper. **(3)**
(see figure 3)

Figure 3



1 Screw(s)

2 Support

3 Parking brake servomotor

Turn back spindle clockwise until wheel can be turned freely. **(1)**
(see figure 4)

Do not turn back spindle up to end stop!
An error code is stored when the spindle is at its end stop!

Install:

Installation in reverse order of removal.

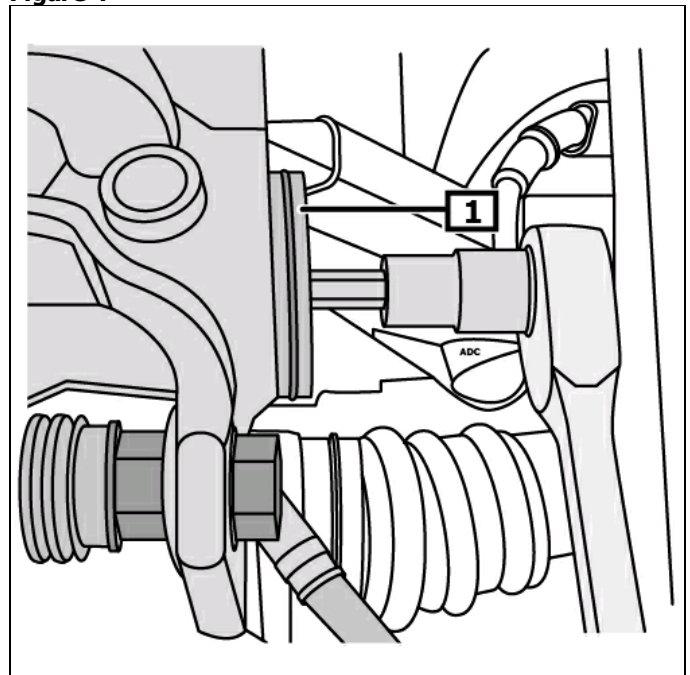
Switch on ignition.
Apply brake pedal and press parking brake switch. **(1)**
(see figure 1)

Parking brake tell-tale lamp goes out in the instrument cluster.
(1)
(see figure 2)

Teach-in process:

Start engine.
Apply brake pedal using increased expenditure of force.
Press parking brake switch for 15 seconds.
Parking brake tell-tale lamp goes out in the instrument cluster.

Figure 4



1 Spindle