



BMW 7 (F01, F02, F03, F04)



WARNING

Health risk!

Inhalation of brake dusts may result in serious damage to the respiratory organs!

Do not clean brake components with compressed air.

Use brake cleaner fluid.

NOTE

Secure vehicle against rolling away.

The illustrations of these installation instructions are exemplary and are only intended for better understanding.

General reference notes

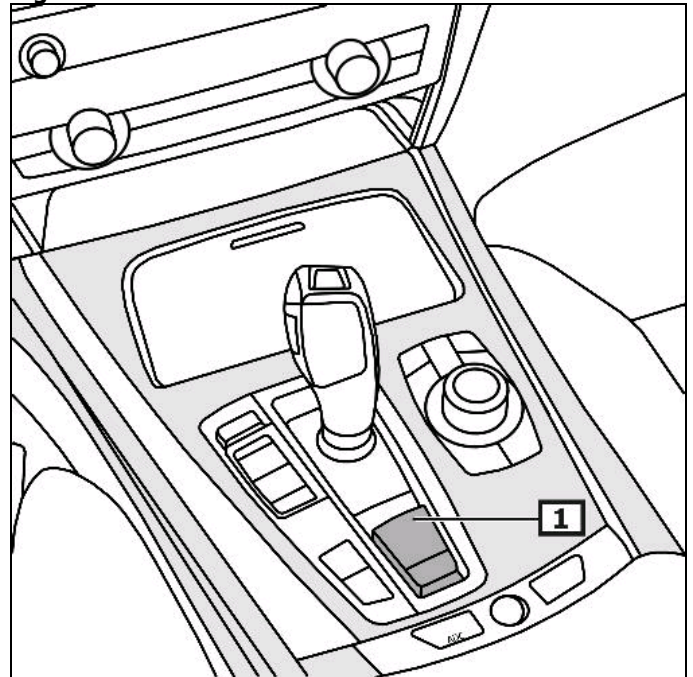
The control unit with the parking brake servomotor is located on the underbody.

The switch for the parking brake is located in the center console.

(1)

(see figure 1)

Figure 1



1 Parking brake switch

Display/operation

Engage parking brake

Pull parking brake switch. **(1)**
(see figure 1)

Disengage parking brake

Press parking brake switch. **(1)**
(see figure 1)

Emergency braking with parking brake

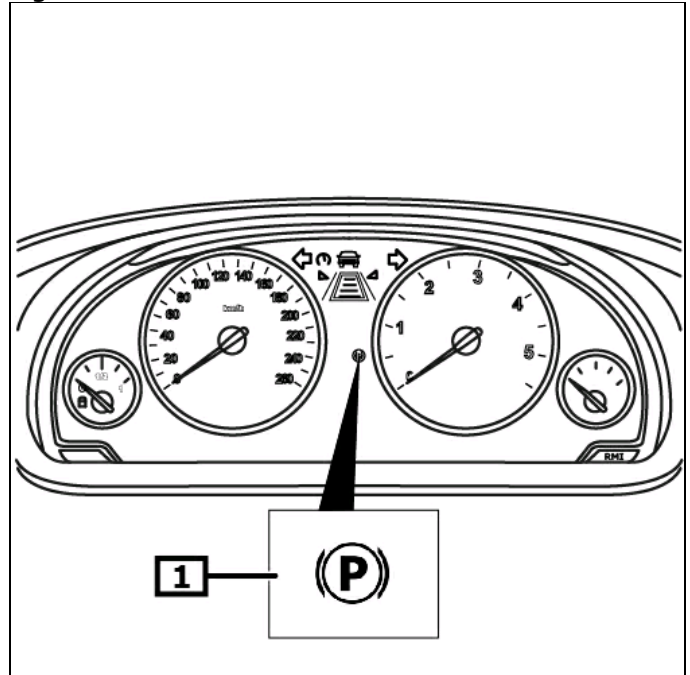
Pull parking brake switch and hold. **(1)**
(see figure 1)

The red parking brake warning light is on as soon as the parking brake has been applied. **(1)**

The yellow parking brake warning light is permanently on when there is a fault on the parking brake. **(1)**
(see figure 2)

For further details and information, please refer to the operating manual!

Figure 2



1 Warning light

Parking brake emergency unlocking device

Remove boot compartment paneling(s).
Secure vehicle with wheel chocks against rolling away.

Use on-board tools. **(1)**

Pull the Bowden cable to unlock the parking brake. **(in the direction of the arrow)**

The brake unlocks audibly.

(see figure 3)

Carry out parking brake basic adjustment

Switch on ignition.

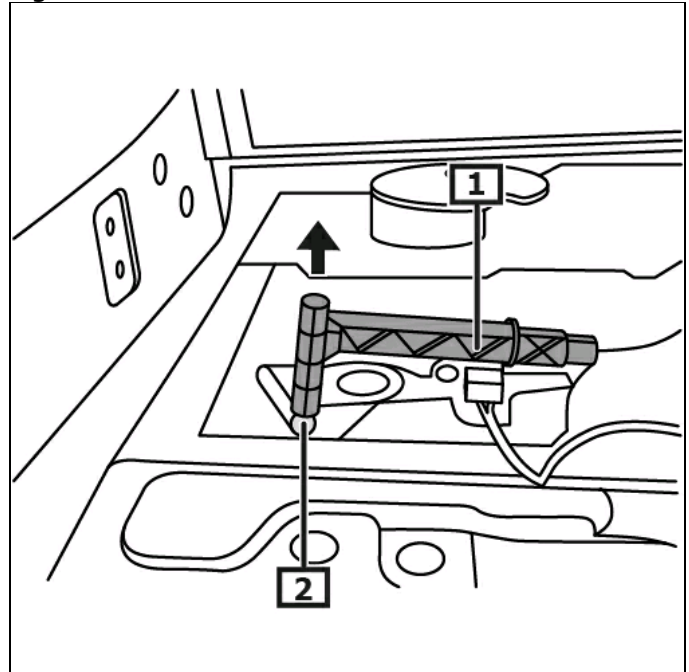
Keep brake pedal depressed.

Press parking brake switch.

Parking brake indicator light goes out upon disengaging parking brake.

Adjustment procedure is finished.

Figure 3



1 Release tool

2 Release point