



BMW 7 (E65, E66, E67)



WARNING

Health risk!

Inhalation of brake dusts may result in serious damage to the respiratory organs!

Do not clean brake components with compressed air.

Use brake cleaner fluid.

NOTE

Activate the parking brake service mode before starting to work on the parking brake system.

Perform brake test on the roller test stand.

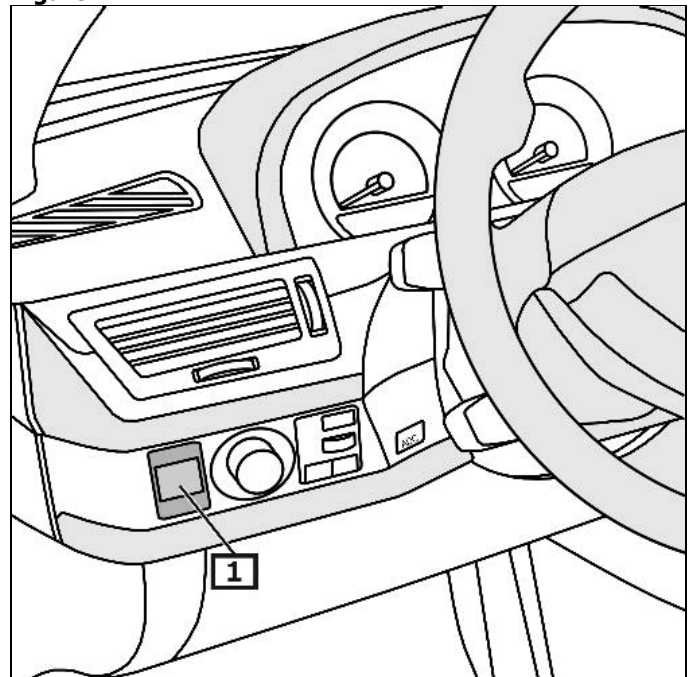
The illustrations of these installation instructions are exemplary and are only intended for better understanding.

General reference notes

The control unit with the parking brake servomotor is located in the boot behind the rear seat bench.

The parking brake switch is located in the dashboard. **(1)**
(see figure 1)

Figure 1



1 Parking brake switch

Display/operation

Engage parking brake

Briefly press the parking brake switch.

Disengage parking brake

Switch on ignition.

Briefly press the parking brake switch.

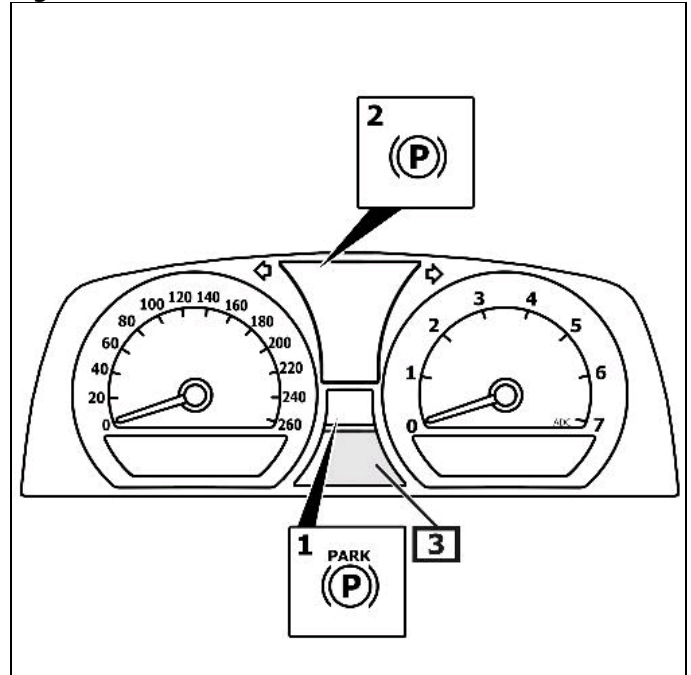
The yellow indicator light goes on when errors occur that impair operating or traffic safety. **(2)**

Read off error code on display. **(3)**

(see figure 2)

For further details and information, please refer to the operating manual!

Figure 2



1 Indicator light

2 Fault indicator light

3 Multi-function display

Activate parking brake service mode before performing any work on the braking system

Note position of EOBD connection.

Connect diagnostic unit to diagnostic connection.

Switch on ignition.

Disengage parking brake

Follow the instructions of the diagnostic unit.

After repair work

Follow the instructions of the diagnostic unit.

Perform basic setting

Switch on ignition.

Actuate the parking brake switch. **(3 times)**

Always wait 5 seconds between each actuation.

Check fault memory, and delete fault if necessary.

Carry out brake test on test stand.

Drive vehicle onto test stand with rear wheels.
Set selector lever to position N.
Switch off engine.
Switch on ignition.
Disengage electronic parking brake.

Perform brake test on the roller test stand.
Press tip switch. **(1)**
(see figure 1)

Parking brake emergency unlocking device

Engage gear selection "P" for vehicles with automatic gearbox.

Secure vehicle with wheel chocks against rolling away.

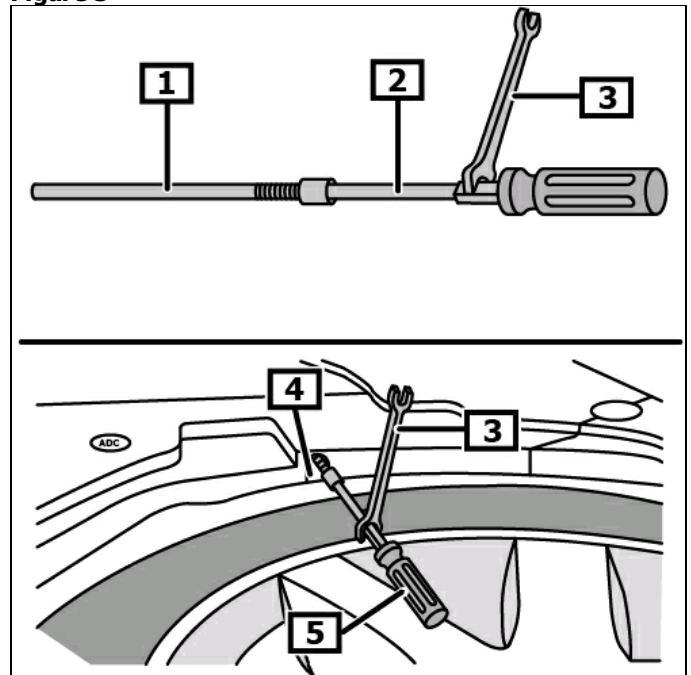
Remove spare wheel cover.
Use on-board tools. **(1)(2)(3)**

Introduce release tool through hole until one feels reaching the stop. **(4)(5)**
Rotate release tool counterclockwise up to the stop. **(3)(5)**

Remove release tool. **(5)**
Install spare wheel cover.
(see figure 3)

Release gearshift interlock emergency unlocking.

Figure 3



1 On-board tools

2 On-board tools

3 On-board tools

4 Bore

5 Release tool