



BMW 5 GRAN TURISMO (F07)



WARNING

Health risk!

Inhalation of brake dusts may result in serious damage to the respiratory organs!

Do not clean brake components with compressed air.

Use brake cleaner fluid.

NOTE

Activate the parking brake service mode before starting to work on the parking brake system.

The illustrations of these installation instructions are exemplary and are only intended for better understanding.

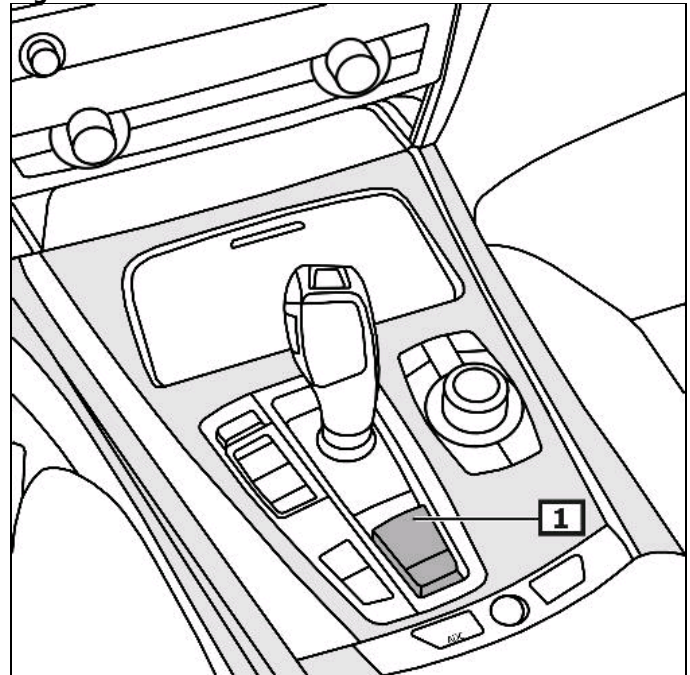
General reference notes

The switch for the parking brake is located in the center console.

(1)

(see figure 1)

Figure 1



1 Parking brake switch

Display/operation

Engage parking brake

Pull parking brake switch.

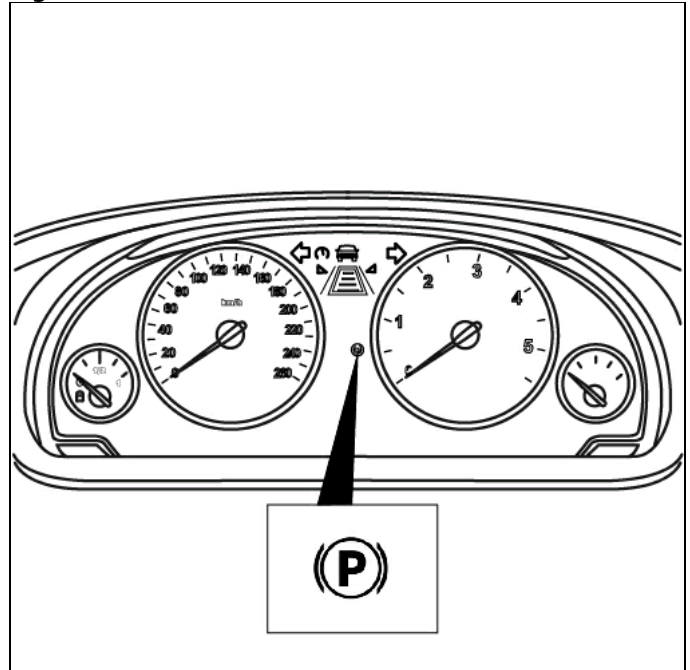
Disengage parking brake

Press parking brake switch downward.

(see figure 2)

For further details and information, please refer to the operating manual!

Figure 2



1 Indicator light

2 Fault indicator light

Activate parking brake service mode before performing any work on the parking braking system

Note position of EOBD connection.

Connect diagnostic unit to diagnostic connection.

Switch on ignition.

Disengage parking brake

Follow the instructions of the diagnostic unit.

After repair work

Follow the instructions of the diagnostic unit.

Perform basic setting

Switch on ignition.

Actuate the parking brake switch.

Check fault memory, and delete fault if necessary.

Carry out brake test on test stand.

Drive the vehicle onto the test stand with the rear wheels only and cut the engine.

Switch on ignition.

Actuate the parking brake switch.

Parking brake emergency unlocking device

Use on-board tools. **(1)**

Secure vehicle with wheel chocks against rolling away.

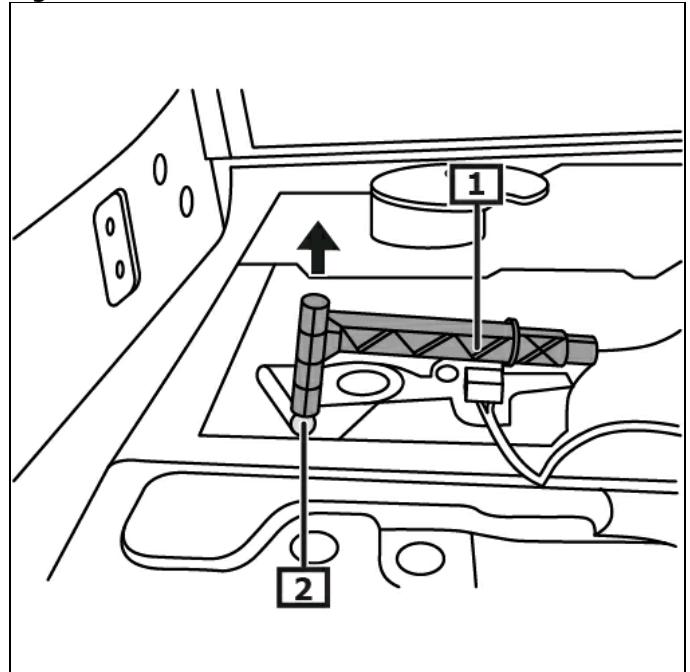
Remove boot floor lining.

Pull the Bowden cable to unlock the parking brake. (in the direction of the arrow)

The brake unlocks audibly.

(see figure 3)

Figure 3



1 Release tool

2 Release point