



BMW 5 (F10, F18), 5 Touring (F11)



### **WARNING**

**Health risk!**

**Inhalation of brake dusts may result in serious damage to the respiratory organs!**

**Do not clean brake components with compressed air.**

**Use brake cleaner fluid.**

### **NOTE**

**Activate the parking brake service mode before starting to work on the parking brake system.**

**The illustrations of these installation instructions are exemplary and are only intended for better understanding.**

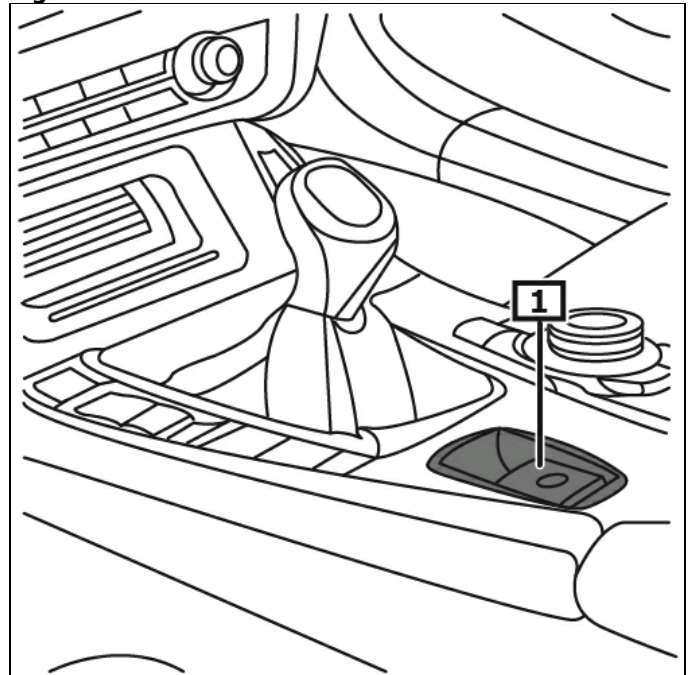
### **General reference notes**

The switch for the parking brake is located in the center console.

**(1)**

**(see figure 1)**

**Figure 1**



**1 Parking brake switch**

## **Display/operation**

### **Engage parking brake**

*Pull parking brake switch.*

**(see figure 1)**

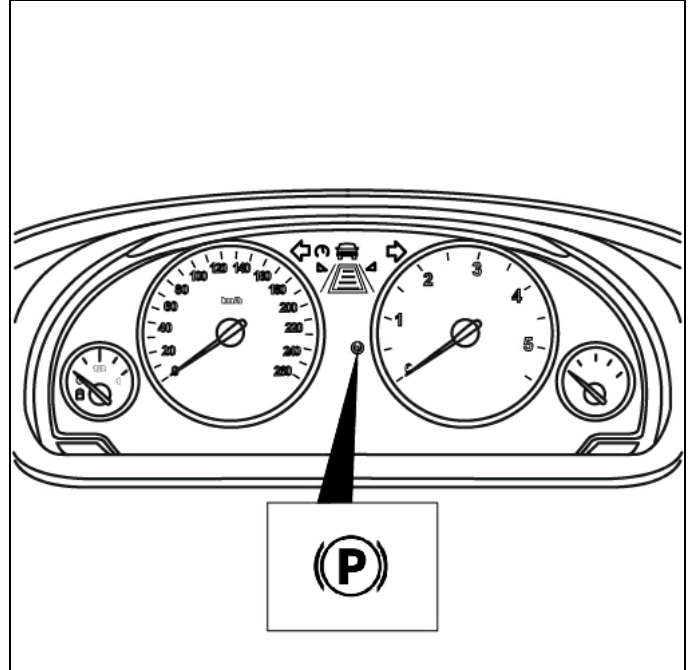
### **Disengage parking brake**

*Press parking brake switch downward.*

**(see figure 1)**

**For further details and information, please refer to the operating manual!**

**Figure 2**



**1 Indicator light**

## **Activate parking brake service mode before performing any work on the parking braking system**

Switch on ignition.  
Disengage parking brake  
Switch off ignition.

### **After repair work**

#### **Perform basic setting**

Switch on ignition.  
Apply brake pedal and press parking brake switch.  
Parking brake tell-tale lamp goes out in the instrument cluster.

**(see figure 2)**

### **Carry out brake test on test stand.**

Drive the vehicle onto the test stand with the rear wheels only and cut the engine.  
Switch on ignition.  
Actuate the parking brake switch.

## **Parking brake emergency unlocking device**

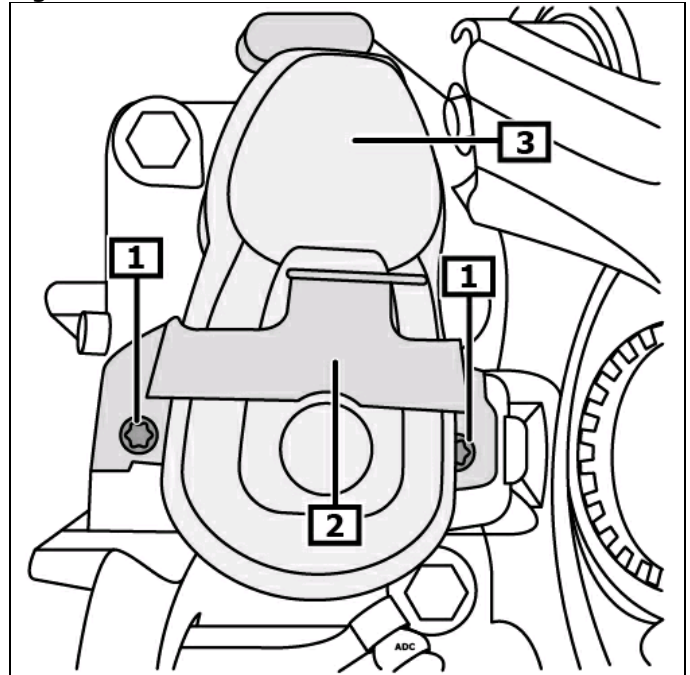
### **Remove:**

Disengage parking brake  
Switch off ignition.  
Secure vehicle against rolling away.

### **Disconnect multiple connection plug from servomotor 30 seconds earliest after ignition has been switched off.**

Disconnect the electric plug connection(s) on the servomotor.  
Unscrew screw(s). **(1)**  
Remove the holder. **(2)**  
Carefully remove servomotor from brake caliper. **(3)**  
**(see figure 3)**

Figure 3



1 Screw(s)

2 Support

3 Parking brake servomotor

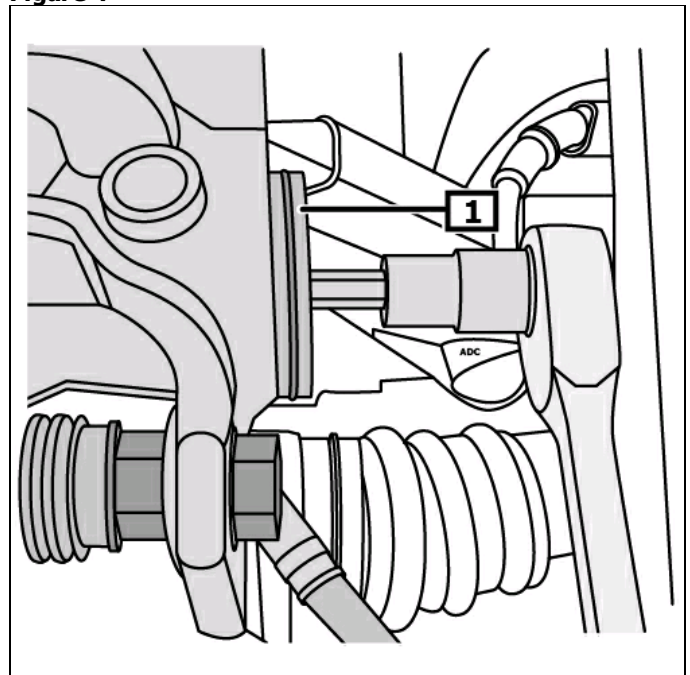
Turn back spindle clockwise until wheel can be turned freely. **(1)**  
**(see figure 4)**

**Do not turn back spindle up to end stop!**  
**An error code is stored when the spindle is at its end stop!**

### **Install:**

Installation in reverse order of removal.

Figure 4



1 Spindle