



AUDI A8 (4H_)



WARNING

Health risk!

Inhalation of brake dusts may result in serious damage to the respiratory organs!

Do not clean brake components with compressed air.

Use brake cleaner fluid.

NOTE

Move back brake piston using the diagnostic unit prior to any work on the brake system.

Note position of EOBD connection.

The illustrations of these installation instructions are exemplary and are only intended for better understanding.

General reference notes

The parking brake servomotors are located at the rear brake calipers.

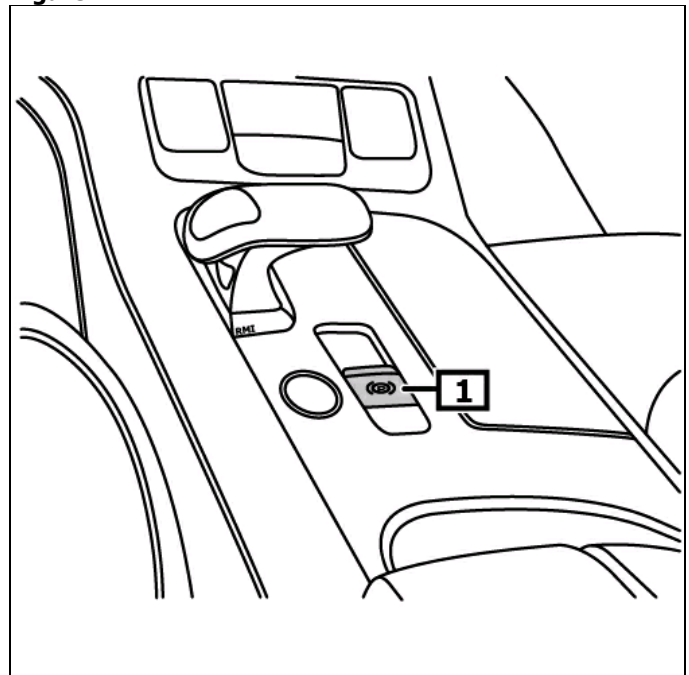
The parking brake control unit is located in the boot left behind the paneling.

The switch for the parking brake is located in the center console.

(1)

(see figure 1)

Figure 1



1 Parking brake switch

Display/operation

Engage parking brake

Pull parking brake switch.

Disengage parking brake

Press parking brake switch and simultaneously apply accelerator pedal or brake pedal.

Attention! The electromechanical parking brake can be actuated with the ignition switched off but it cannot be released.

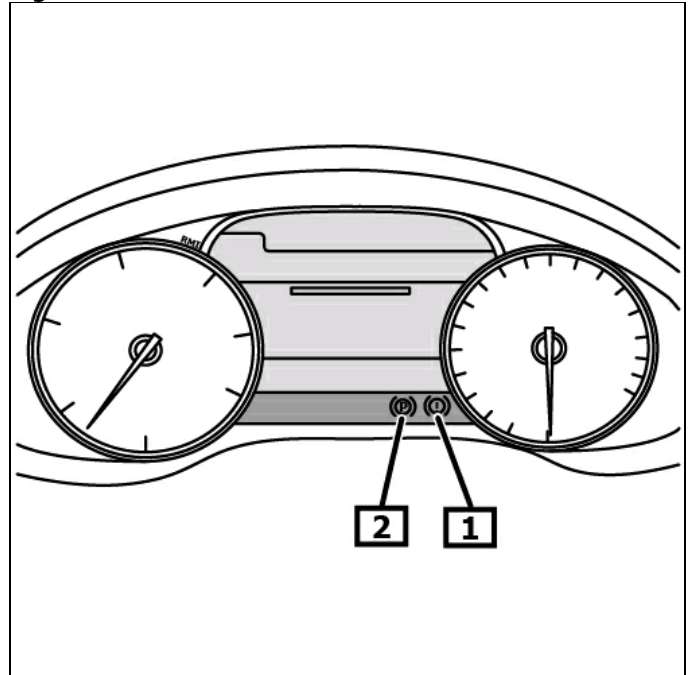
The red warning light goes on when errors occur that greatly impair operating or traffic safety. (1)

The indicator light is flashing continuously when the parking brake has not been completely closed. The line is disturbed once the indicator light should flash while operating the switch. **(2) (see figure 2)**

The display will show a message when an error has been detected by the control unit.

For further details and information, please refer to the operating manual!

Figure 2



1 Warning light

2 Indicator light

Move back brake piston using the diagnostic unit prior to any work on the brake system.

Note position of EOBD connection.

Connect diagnostic unit to diagnostic connection.
Switch on ignition.
Disengage parking brake

Follow the instructions of the diagnostic unit.

After repair work

Follow the instructions of the diagnostic unit.

Carry out basic adjustments using suitable diagnostic unit.
Check fault memory, and delete fault if necessary.

Carry out brake test on test stand.

Drive the rear vehicle wheels onto the testing stand, leaving the ignition on.
Test mode will be automatically activated when the test speed is higher than 3 km/h.
On the display the yellow, crossed out parking brake symbol will appear.

The front wheels must be fixed during the test.

The parking brake is being closed a bit at every switch actuation.
Parking brake completely engaged after hitting the switch 3 times.

Parking brake emergency unlocking device

Lift vehicle.

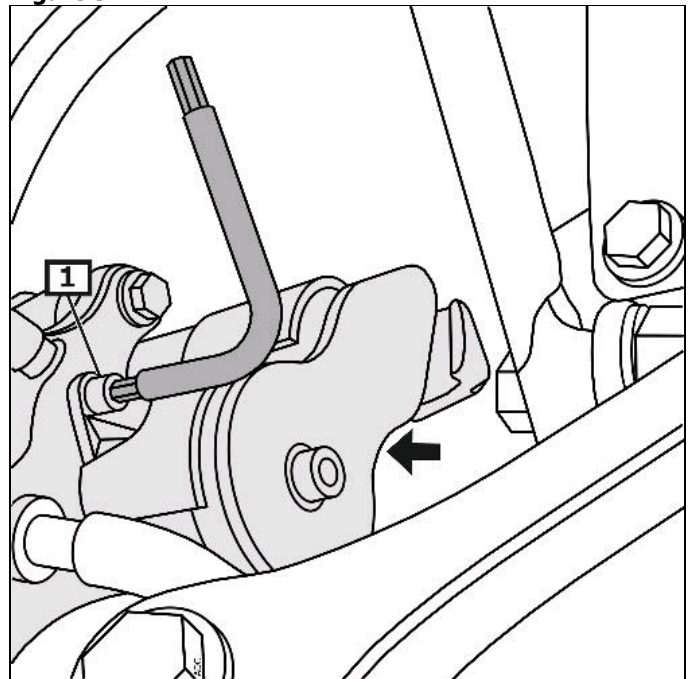
Remove rear wheels.

Disconnect multiple connection plug from servomotor 30 seconds earliest after ignition has been switched off.

Disconnect the electric plug connection(s) on the servomotor.

Unscrew screw(s). **(1) (arrow)**
(see figure 3)

Figure 3

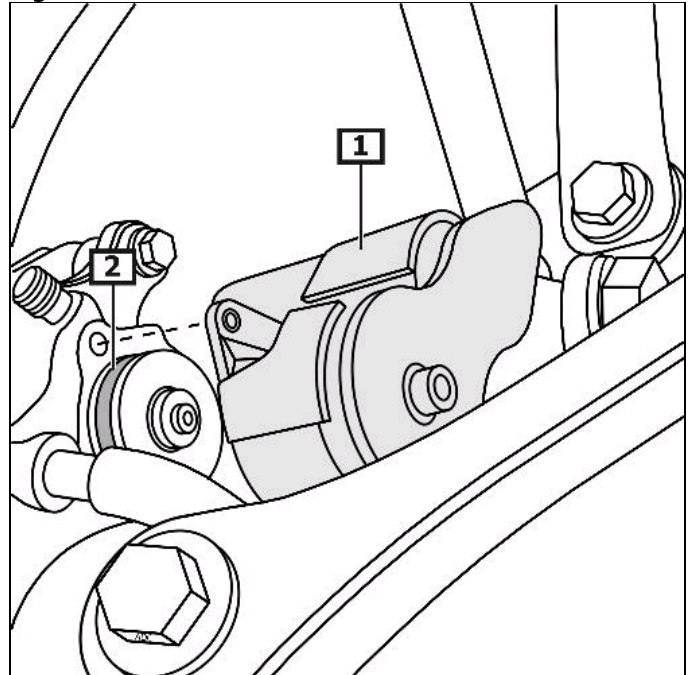


1 Servomotor screw(s)

Servomotor screw(s) (arrow)

Remove the actuator(s). **(1)**
Remove the sealing ring(s). **(2)**
(see figure 4)

Figure 4



1 Servomotor(s)

2 Sealing ring(s)

Reset brake piston by turning the adjusting screw. **(3)**
Check brake disc for free movement.
(see figure 5)

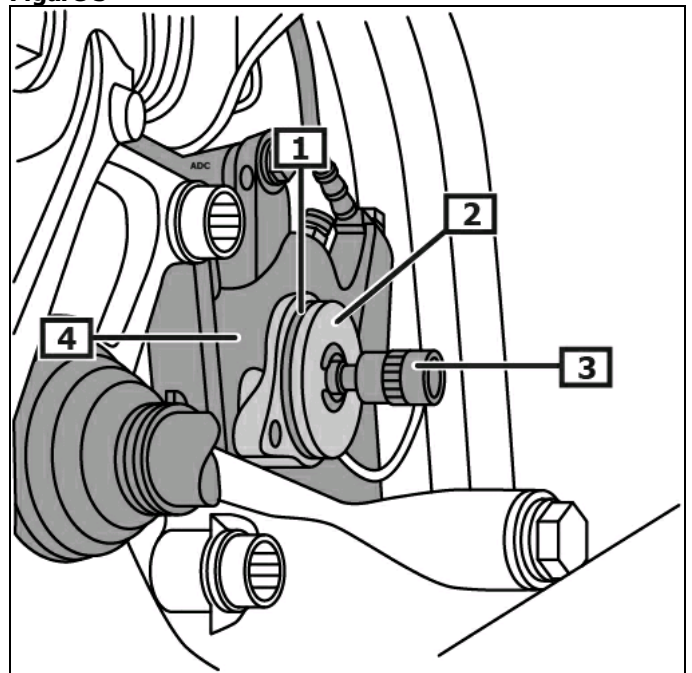
When installing, please observe the following

Replace sealing ring(s) **(1)**
(see figure 5)

Installation in reverse order of removal.

Carry out basic adjustments using suitable diagnostic unit.
Note position of EOBD connection.

Figure 5



1 Sealing ring

2 Brake piston spindle

3 Tool(s)

4 Brake caliper