



AUDI A4 (8K_,B8), A5 (8T_, 8F_), Q5 (8R)



WARNING

Health risk!

Inhalation of brake dusts may result in serious damage to the respiratory organs!

Do not clean brake components with compressed air.

Use brake cleaner fluid.

NOTE

Activate the parking brake service mode before starting to work on the brake system.

Note position of EOBD connection.

The illustrations of these installation instructions are exemplary and are only intended for better understanding.

General reference notes

The parking brake servomotors are located at the rear brake calipers.

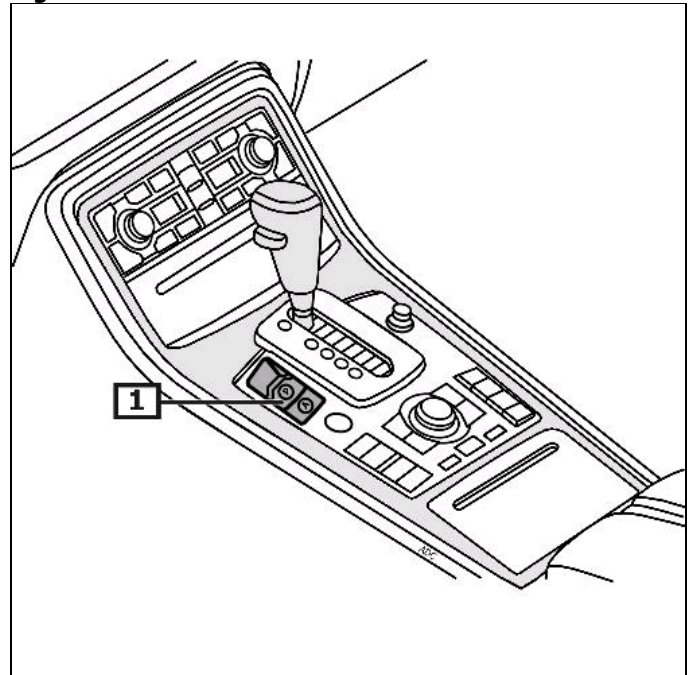
The parking brake control unit is located in the boot right below the on-board tools.

The switch for the parking brake is located in the center console.

(1)

(see figure 1)

Figure 1



1 Parking brake switch

Display/operation

Engage parking brake

Pull parking brake switch.

Disengage parking brake

Press parking brake switch and simultaneously apply accelerator pedal or brake pedal.

Attention! The electromechanical parking brake can be actuated with the ignition switched off but it cannot be released.

The red warning light goes on when errors occur that greatly impair operating or traffic safety. (1)

The yellow parking brake warning light is permanently on when there is a fault on the parking brake. (2)

The indicator light is flashing continuously when the parking brake has not been completely closed. (2)

The line is disturbed once the indicator light should flash while operating the switch. (2)

The tell-tale will light green when the hill holder is enabled. (2)

The display will show a message when an error has been detected by the control unit. (3)

(see figure 2)

For further details and information, please refer to the operating manual!

Move back brake piston using a diagnostic unit prior to any work on the brake system.

Note position of EOBD connection.

Connect diagnostic unit to diagnostic connection.

Switch on ignition.

Disengage parking brake

Follow the instructions of the diagnostic unit.

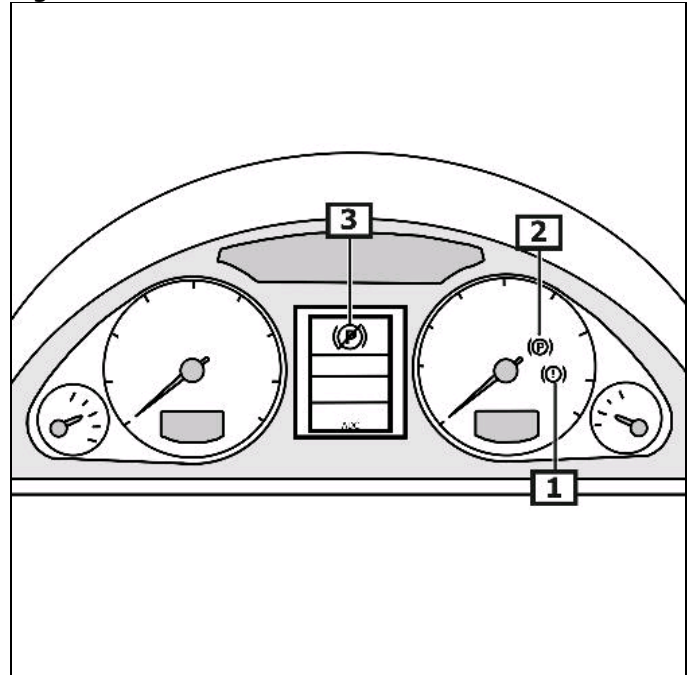
After repair work

Follow the instructions of the diagnostic unit.

Carry out basic adjustments using suitable diagnostic unit.

Check fault memory, and delete fault if necessary.

Figure 2



1 Warning light

Not possible to continue driving.

2 Indicator light

3 Electrical interference

Required torques

Self-locking screws and nuts must always be replaced.

Servomotor screw(s) (1)	(see figure 3)	12 Nm
-------------------------	----------------	-------

Parking brake emergency unlocking device

Lift vehicle.

Remove rear wheels.

Switch off ignition.

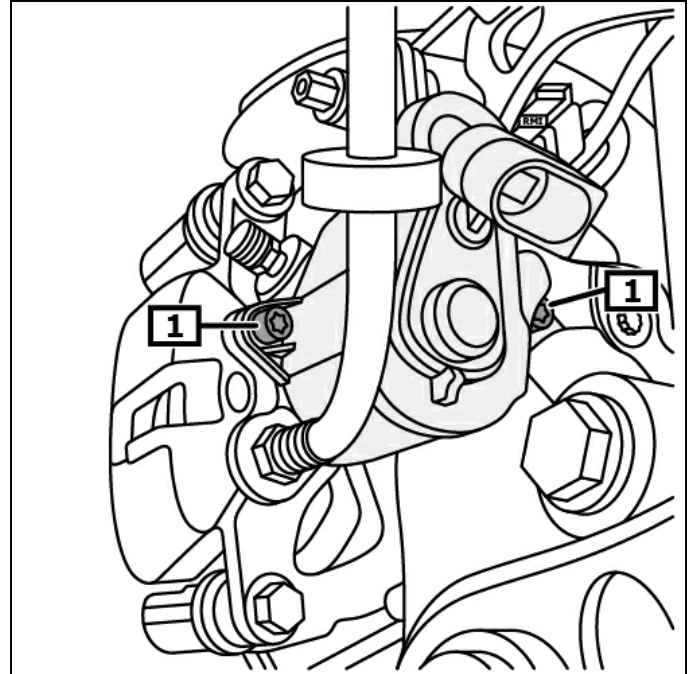
Keep waiting time of min. 30 s.

Remove parking brake connector.

Unscrew screw(s). (1)

(see figure 3)

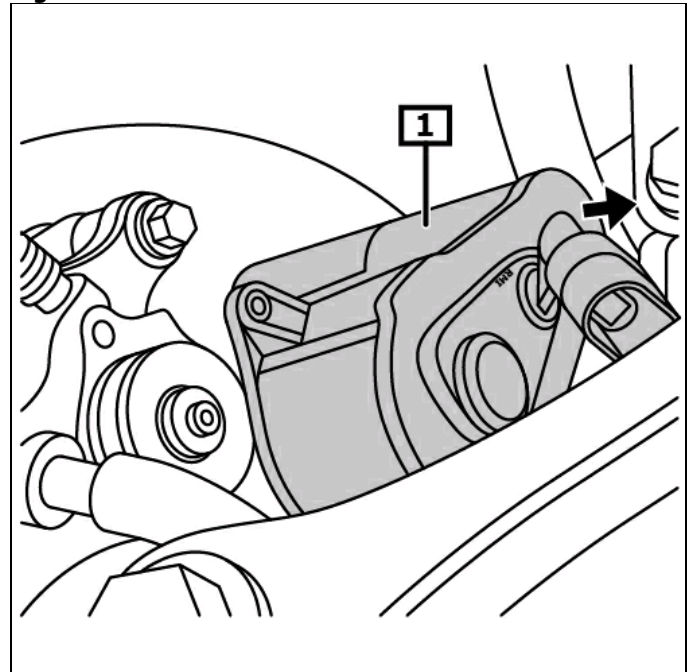
Figure 3



1 Servomotor screw(s)

Remove the actuator(s). (1) (arrow)
(see figure 4)

Figure 4



1 Servomotor(s)

Reset brake piston by turning the adjusting screw. **(1)**
(see figure 5)

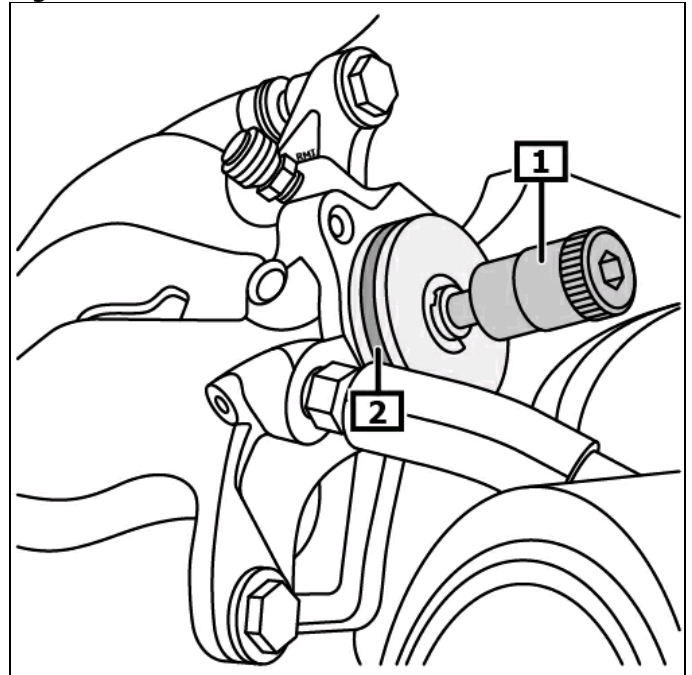
Check brake disc for free movement.

Replace sealing ring(s). **(2)**
(see figure 5)

Installation in reverse order of removal.

Carry out basic adjustments using suitable diagnostic unit.

Figure 5



1 Resetting tool

2 Sealing ring