



Nissan Micra III (K12), Micra C+C (K12)



### **DANGER**

**Airbag unit can trigger unintentionally!**

**Airbag unit is a pyrotechnic component that can lead to death on improper handling!**

**Only specially trained employees may carry out any work on the airbag system.**

**Disconnect the battery.**

**Always store airbag unit with the padded side pointing upward.**

**Always transport airbag unit in appropriate packaging.**

**Never leave airbag unit unattended, but lock safely in an appropriate cabinet.**

**Do not open or repair airbag unit.**

**Only install airbag unit in undamaged condition.**

**Do not perform any measurements on the airbag unit using a test lamp or multimeter.**

**Wear protective gloves and safety goggles.**

**No person may stay inside the vehicle when re-connecting the battery.**

### **NOTE**

**Ensure proper cleanliness when working on the servo-steering.**

**Generally replace self-locking as well as corroded screws and nuts.**

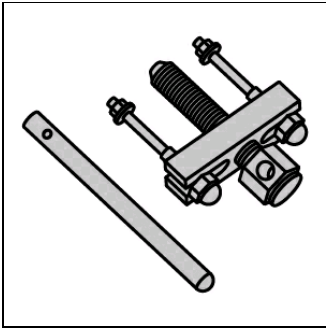
**Repair work of any kind on the electromechanical steering column is not permissible, it must basically be completely replaced.**

**Observe disposal regulations!**

**Do not use oils, fats, chemicals and cleaners not approved by the manufacturer on airbag units.**

**The illustrations of these installation instructions are exemplary and are only intended for better understanding.**

## **Required special tools**



Puller  
OE (ST27180001)

## **Required torques**

### **Tightening torques**

**Self-locking screws and nuts must always be replaced.**

Steering wheel screw <b>(1)</b>	<b>(see figure 1)</b>	<b>29 - 34 Nm</b>
Universal joint bolt(s) <b>(1)</b>	<b>(see figure 5)</b>	<b>27 - 32 Nm</b>
Steering column nut(s) <b>(1)</b>	<b>(see figure 6)</b>	<b>15 - 19 Nm</b>
Intermediate steering shaft screw(s) <b>(4)</b>	<b>(see figure 6)</b>	<b>at steering column 27 - 32 Nm</b>
Driver airbag screw(s)		<b>5 - 14 Nm</b>

**Remove:**

Move steering wheel to the centre position and let steering lock engage.

Disconnect battery (negative terminal).

Keep waiting time of min. 3 min.

Remove driver's airbag.

Disconnect electric connectors.

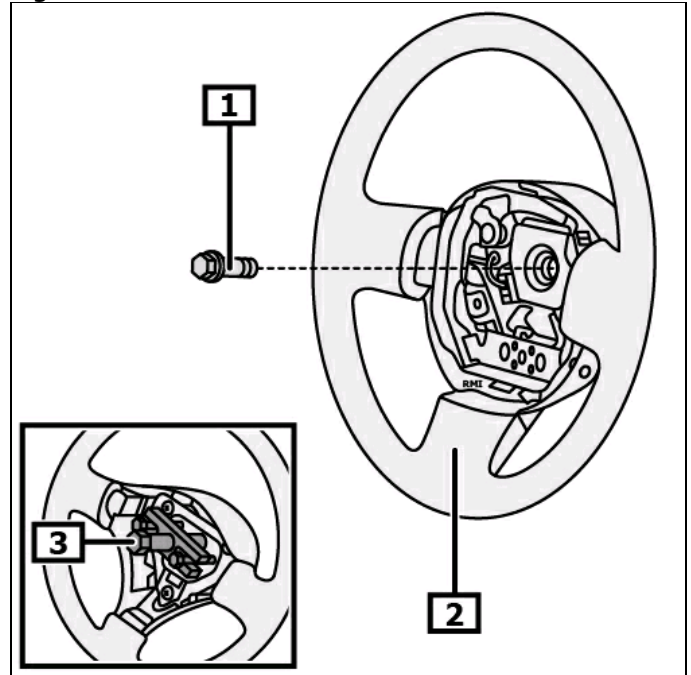
Remove steering wheel and contact unit only when they are in centre position.

Unscrew and remove steering wheel screw. (1)  
Pull off steering wheel from steering spindle using puller. (2)(3)

**Required special tools**  
Puller OE (ST27180001)

(see figure 1)

Figure 1



1 Steering wheel screw

2 Steering wheel

3 Puller

Unscrew and remove steering column shroud(s) lower screw(s). (1)

Remove lower steering column shroud. (2)

Unscrew and remove steering column shroud(s) upper screw(s).

Remove upper steering column shroud. (3)

Remove steering column sheet-metal covering. (4)

(see figure 2)

Loosen contact unit electric plug connection.

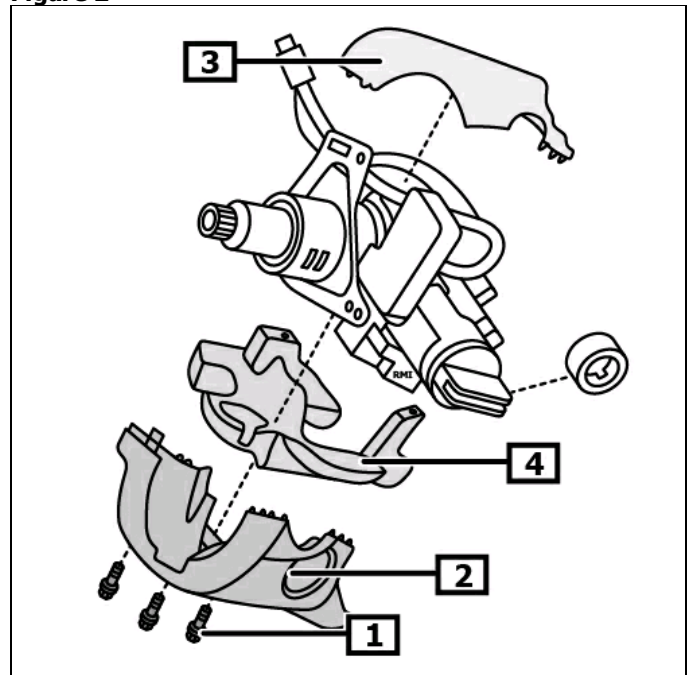
Remove contact unit.

Unscrew and remove steering column module screw(s).

Disconnect steering column module electric plug connection(s).

Remove steering column module.

Figure 2



1 Steering column shroud(s) lower screw(s)

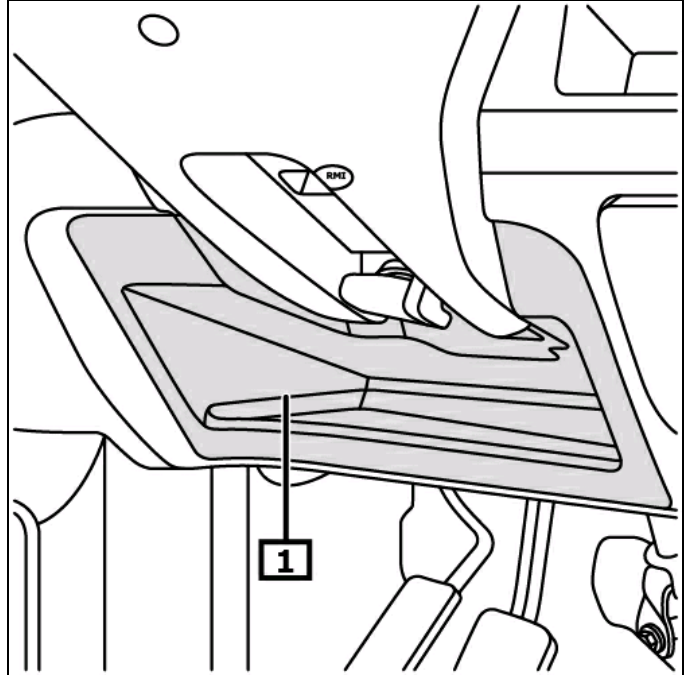
2 Lower steering column shroud

3 Upper steering column shroud

4 Steering column sheet-metal covering

Remove dashboard covering. **(1)**  
**(see figure 3)**

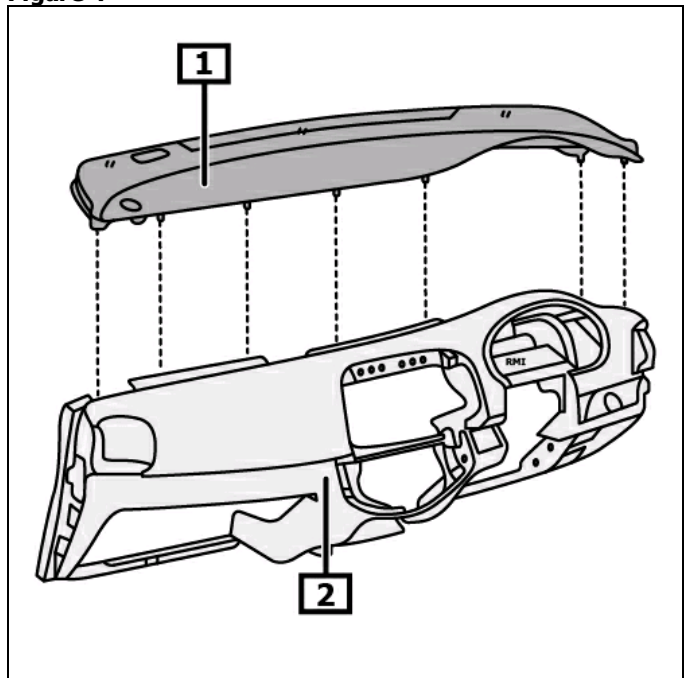
**Figure 3**



**1 Dashboard covering**

Remove dashboard cover(s). **(1)**  
**(see figure 4)**

**Figure 4**



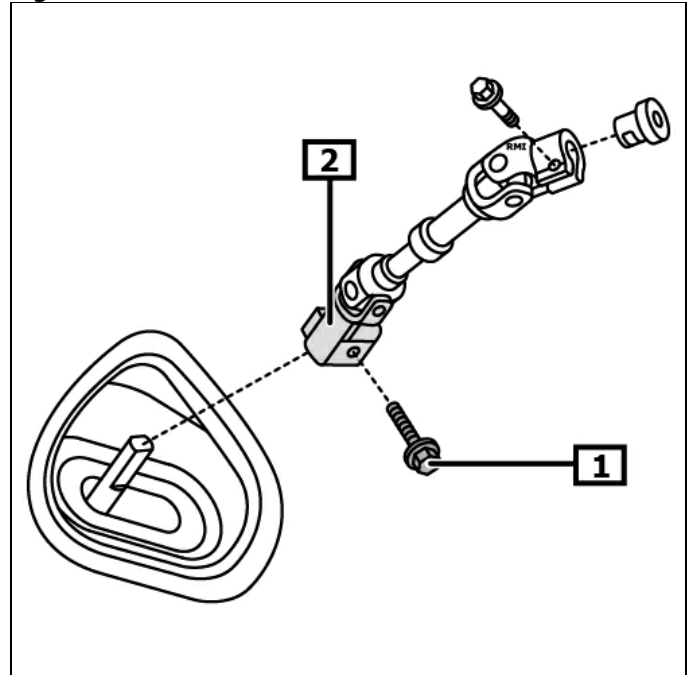
**1 Cover(s), dashboard**

**2 Dashboard**

Unscrew universal joint bolt(s). **(1)**  
 Remove the universal joint upward from the steering gear. **(2)**  
**(see figure 5)**

Disconnect steering column electric plug connection(s).

**Figure 5**



**1 Universal joint bolt(s)**

**2 Steering universal joint**

Unscrew and remove steering column nut(s). **(1)**  
 Remove the steering column. **(2)**

Convert following components when replacing the steering column:

- Ignition starter switch
- Ignition lock
- Intermediate steering shaft **(4)**

**(see figure 6)**

**Install:**

**Make sure that the universal joint screw is seated centered in the steering spindle recess!**

**Installation in reverse order of removal.**

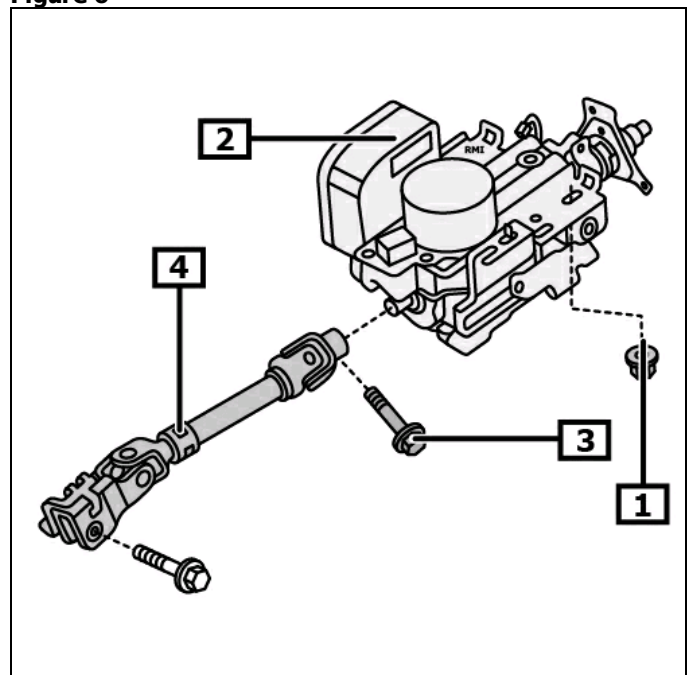
Code radio and reprogram vehicle settings if required.  
 Check electrical system for function.

**Teach the steering angle sensor.**

Teach steering angle sensor using appropriate diagnostic unit.

**Note position of EOBD connection.**

**Figure 6**



**1 Steering column nut(s)**

**2 Steering column**

**3 Intermediate steering shaft screw(s)**

**4 Intermediate steering shaft screw(s)**