



Fiat Stilo (192)



DANGER

Airbag unit can trigger unintentionally!

Airbag unit is a pyrotechnic component that can lead to death on improper handling!

Only specially trained employees may carry out any work on the airbag system.

Disconnect the battery.

Always store airbag unit with the padded side pointing upward.

Always transport airbag unit in appropriate packaging.

Never leave airbag unit unattended, but lock safely in an appropriate cabinet.

Do not open or repair airbag unit.

Only install airbag unit in undamaged condition.

Do not perform any measurements on the airbag unit using a test lamp or multimeter.

Wear protective gloves and safety goggles.

No person may stay inside the vehicle when re-connecting the battery.

NOTE

Ensure proper cleanliness when working on the servo-steering.

Steering column adjustment must remain locked during steering column removal.

Generally replace self-locking as well as corroded screws and nuts.

Repair work of any kind on the electromechanical steering column is not permissible, it must basically be completely replaced.

Observe disposal regulations!

Do not use oils, fats, chemicals and cleaners not approved by the manufacturer on airbag units.

The illustrations of these installation instructions are exemplary and are only intended for better understanding.

Required torques

Tightening torques

Self-locking screws and nuts must always be replaced.

Universal joint bolt(s) (1)	(see figure 5)	M10 52 Nm
Steering column (2)	(see figure 6)	M8 20 Nm
Intermediate steering shaft (3)	(see figure 7)	M10, at steering column 52 Nm
Steering wheel screw		M16x1,5 50 Nm

Remove:

Move steering wheel to the centre position and let steering lock engage.

Wait 20 seconds after switching of ignition.

Disconnect battery (negative terminal).

Keep waiting time of min. 10 s.

Remove driver's airbag.

Disconnect driver's airbag electric plug connection(s).
Demount steering wheel.

Unscrew and remove steering column shroud(s) lower screw(s).
(1)

Remove lower steering column shroud. **(2)**

Unscrew and remove steering column shroud(s) upper screw(s). **(3)**

Remove upper steering column shroud. **(4)**

(see figure 1)

Loosen steering column module screw(s).

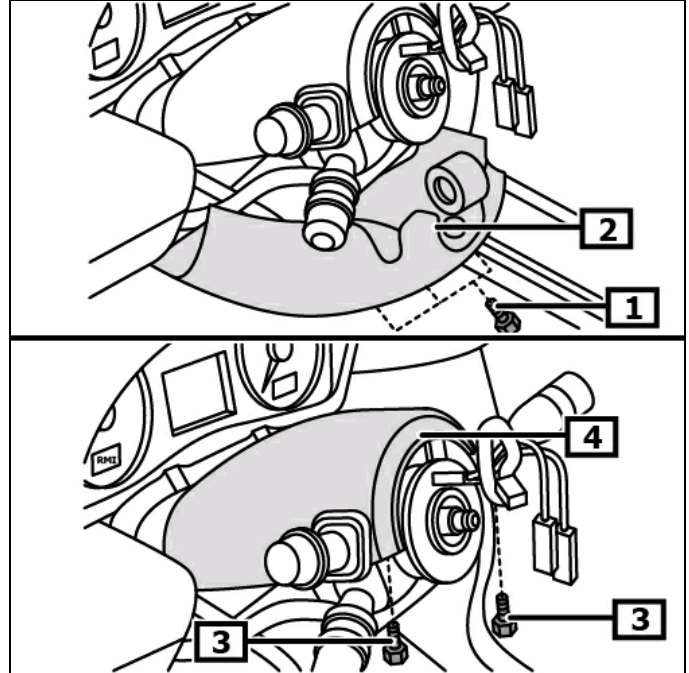
Loosen steering column module retaining device using a suitable tool. **(1)**

Disconnect electric connectors.

Remove steering column module incl. steering-column switch. **(2)**

(see figure 2)

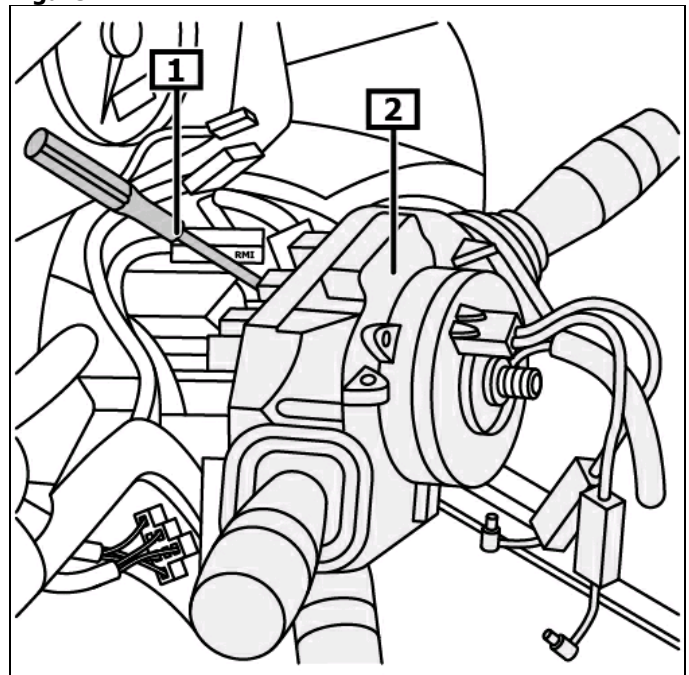
Figure 1



1 Steering column shroud(s) lower **2** Lower steering column shroud screw(s)

3 Steering column shroud(s) upper **4** Upper steering column shroud screw(s)

Figure 2

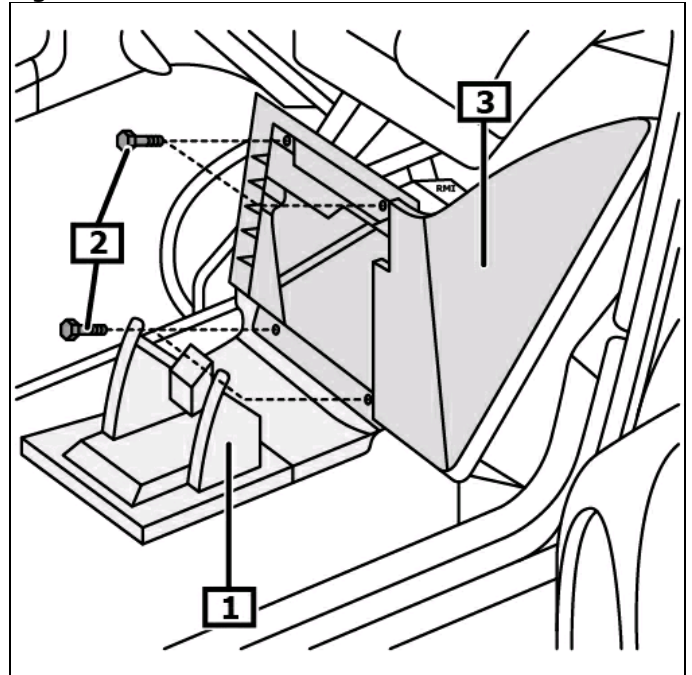


1 Steering column module retaining device

2 Steering column module

Open storage box. **(1)**
 Unscrew and remove dashboard covering screw(s). **(2)**
 Remove dashboard covering. **(3)**
(see figure 3)

Figure 3

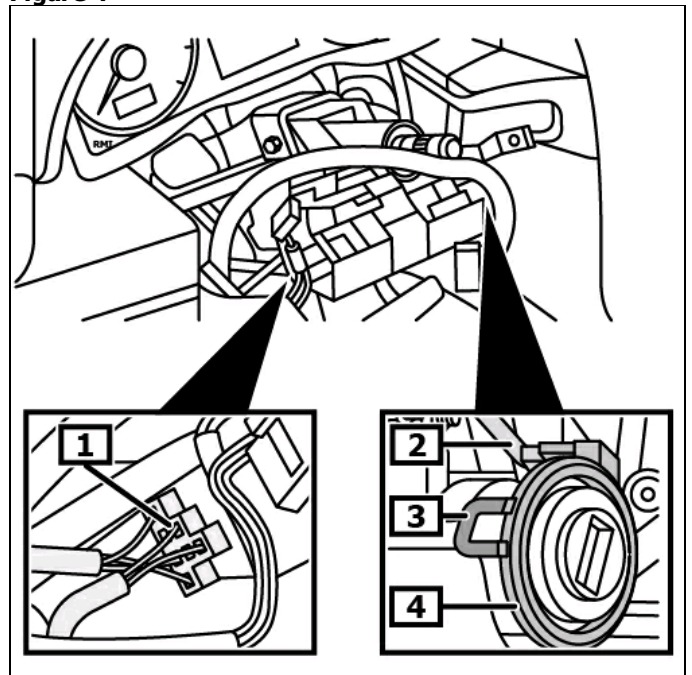


- 1 Parcel tray
- 2 Dashboard covering screw(s)
- 3 Dashboard covering

Disconnect ignition lock electric plug connection(s). **(1)**
 Loosen reading coil electric plug connection. **(2)**
 Loosen immobilizer reading coil lock. **(3)**
 Demount read coil of immobilizer. **(4)**
(see figure 4)

Remove electric plug connection from electric power steering control unit.

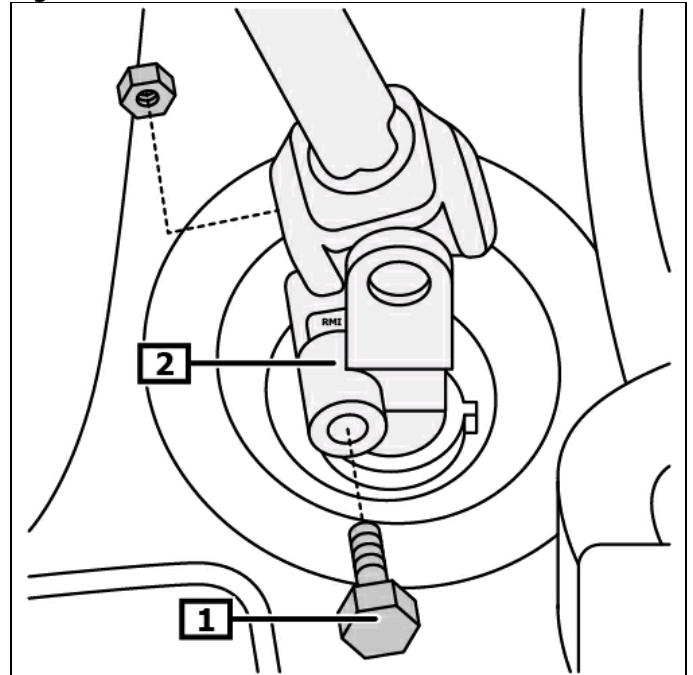
Figure 4



- 1 Ignition lock electric plug connection(s)
- 2 Reading coil electric plug connection
- 3 Immobilizer reading coil lock
- 4 Immobilizer reading coil

Unscrew universal joint bolt(s). **(1)**
Remove the universal joint upward from the steering gear. **(2)**
(see figure 5)

Figure 5

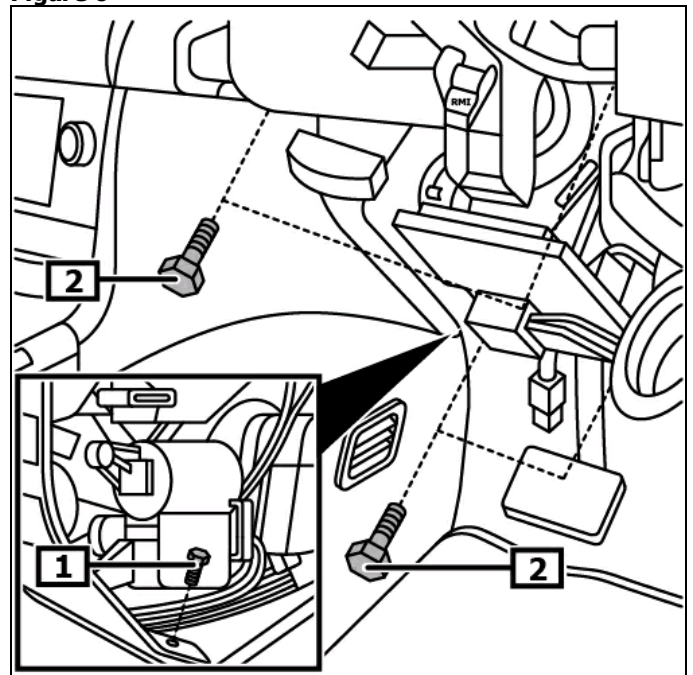


1 Universal joint bolt(s)

2 Intermediate steering shaft

Unscrew centre console screw(s). **(1)**
Unscrew the steering column screw(s). **(2)**
(see figure 6)

Figure 6



1 Centre console screw(s)

2 Steering column screw(s).

Loosen steering column and turn it clockwise by 30 - 90°. **(1)**
Remove the steering column.

Convert following components when replacing the steering column:

- Ignition lock **(2)**
 - Intermediate steering shaft **(3)**
 - Steering column protection bracket **(4)**
- (see figure 7)**

Install:

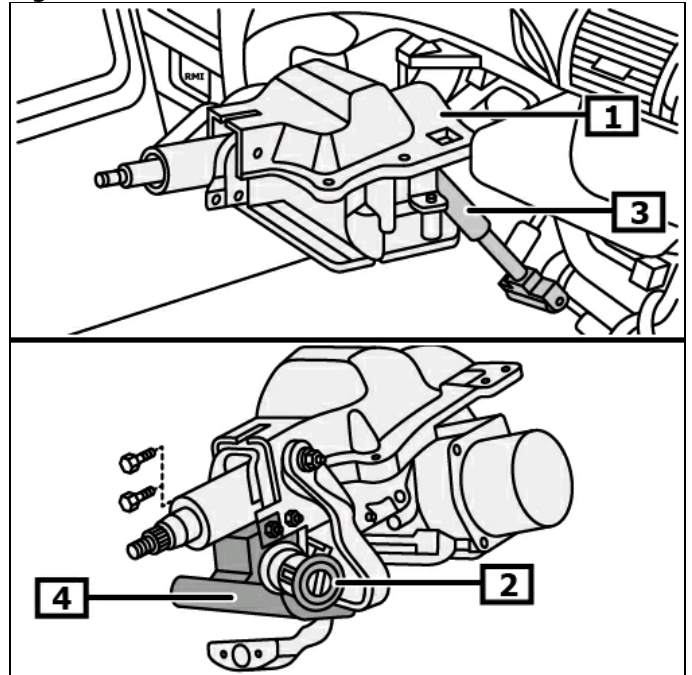
Installation in reverse order of removal.

Code radio and reprogram vehicle settings if required.
Check electrical system for function.

Teach the steering angle sensor.

Teach steering angle sensor using appropriate diagnostic unit.
Note position of EOBD connection.

Figure 7



1 Steering column

2 Ignition lock

3 Intermediate steering shaft

4 Steering column protection bracket