



Fiat Panda (169)



DANGER

Airbag unit can trigger unintentionally!

Airbag unit is a pyrotechnic component that can lead to death on improper handling!

Only specially trained employees may carry out any work on the airbag system.

Disconnect the battery.

Always store airbag unit with the padded side pointing upward.

Always transport airbag unit in appropriate packaging.

Never leave airbag unit unattended, but lock safely in an appropriate cabinet.

Do not open or repair airbag unit.

Only install airbag unit in undamaged condition.

Do not perform any measurements on the airbag unit using a test lamp or multimeter.

Wear protective gloves and safety goggles.

No person may stay inside the vehicle when re-connecting the battery.

NOTE

Ensure proper cleanliness when working on the servo-steering.

Steering column adjustment must remain locked during steering column removal.

Generally replace self-locking as well as corroded screws and nuts.

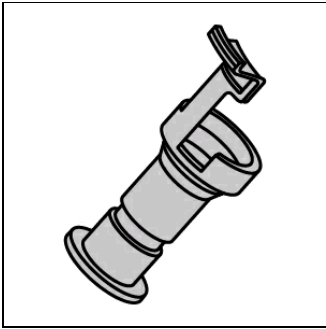
Repair work of any kind on the electromechanical steering column is not permissible, it must basically be completely replaced.

Observe disposal regulations!

Do not use oils, fats, chemicals and cleaners not approved by the manufacturer on airbag units.

The illustrations of these installation instructions are exemplary and are only intended for better understanding.

Required special tools



Steering column blocking tool
OE (1870761000)

Required torques

Tightening torques

Self-locking screws and nuts must always be replaced.

Universal joint bolt(s) (1)	(see figure 5)	Use new screw(s).	M8 32 - 42 Nm
Steering column (3)(4)	(see figure 5)		M8 15 Nm
Steering wheel screw			M16x1,5 50 Nm

Remove:

Move steering wheel to the centre position and let steering lock engage.

Disconnect battery (negative terminal).

Keep waiting time of min. 10 s.

Remove driver's airbag.

Disconnect driver's airbag electric plug connection(s).
Demount steering wheel.

Unscrew and remove steering column shroud(s) lower screw(s).

(1)

Remove lower steering column shroud. **(2)**

Unscrew and remove steering column shroud(s) upper screw(s). **(3)**

Remove upper steering column shroud. **(4)**

(see figure 1)

Disconnect steering column module electric plug connection(s).

(1)

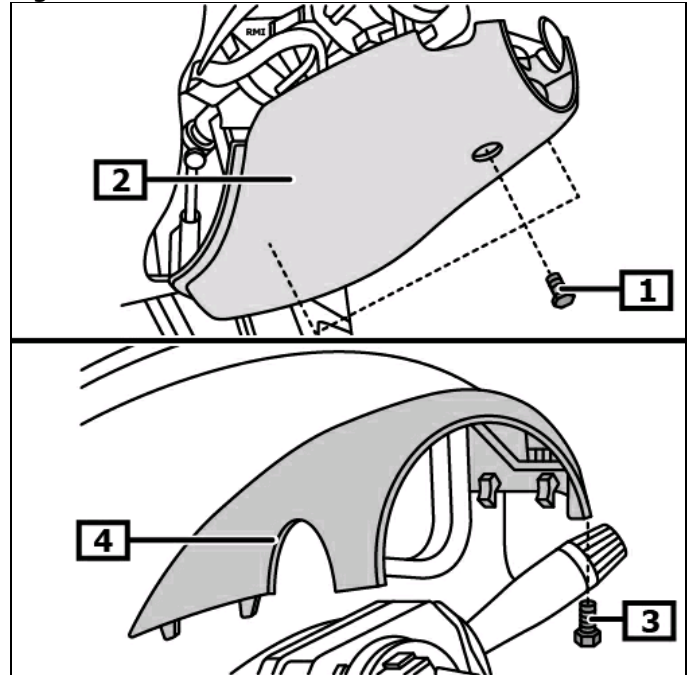
Loosen steering column module retaining device. **(2)**

Remove steering column module incl. steering-column switch. **(3)**

(3)

(see figure 2)

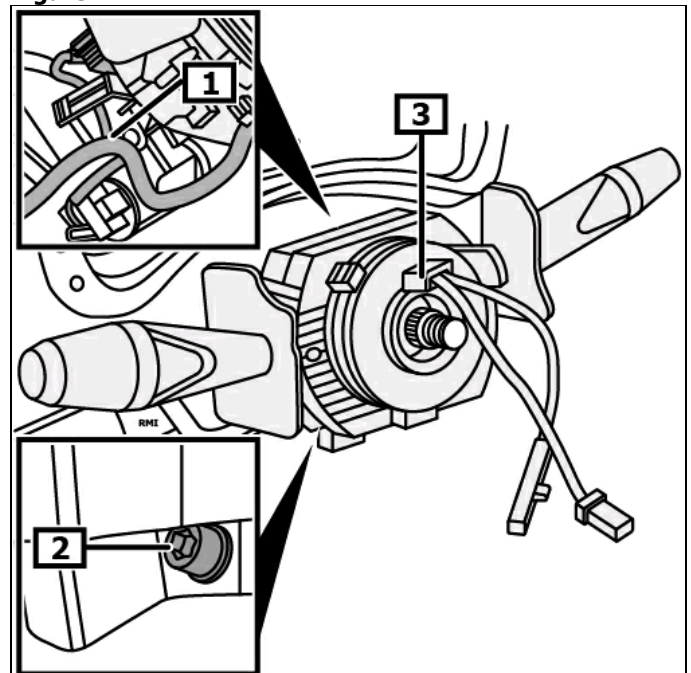
Figure 1



1 Steering column shroud(s) lower **2** Lower steering column shroud screw(s)

3 Steering column shroud(s) upper **4** Upper steering column shroud screw(s)

Figure 2



1 Electrical connection(s)

2 Steering column module retaining device

3 Steering column module

Install steering column blocking tool. **(1)**

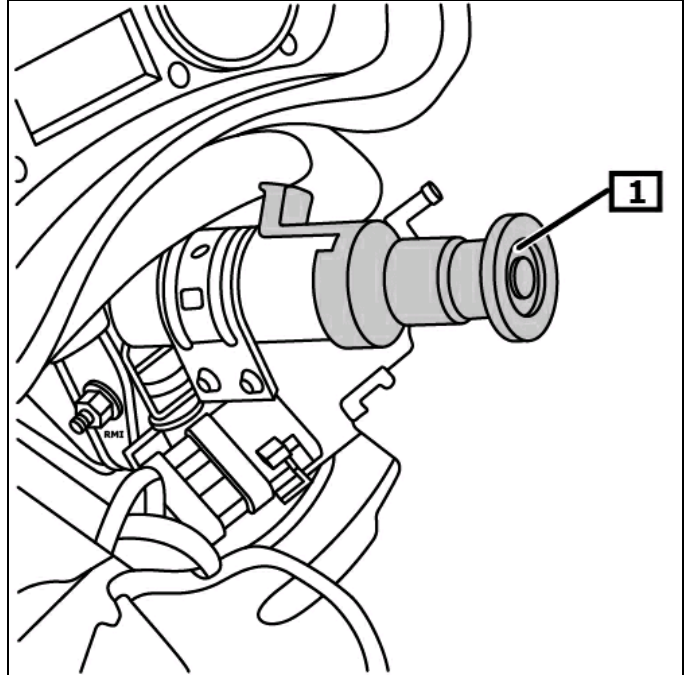
Required special tools

Steering column blocking tool OE (1870761000)

(see figure 3)

Disconnect ignition lock electric plug connection(s).

Figure 3



1 Steering column blocking tool

Unscrew and remove dashboard covering screw(s). **(1)**

Remove dashboard covering. **(2)**

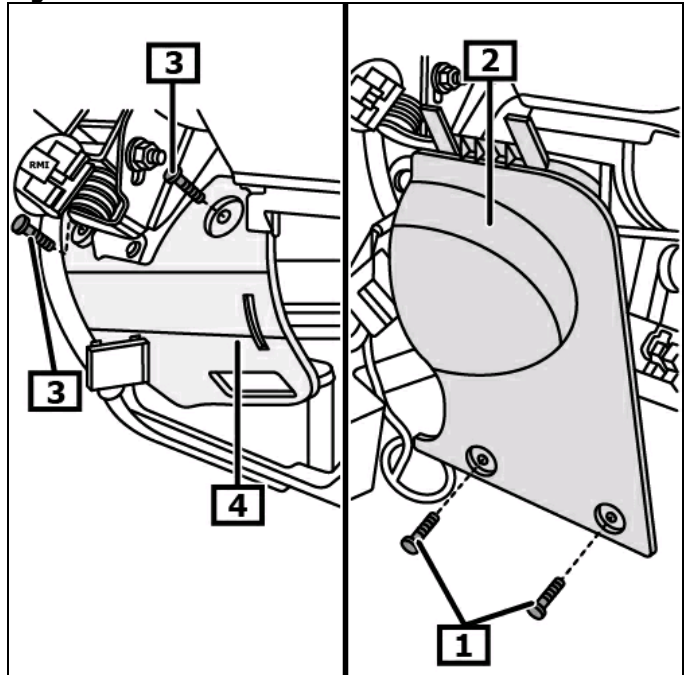
Unscrew and remove steering column sheet-metal covering screw(s). **(3)**

Remove steering column sheet-metal covering. **(4)**

(see figure 4)

Disconnect steering column electric plug connection(s).

Figure 4



1 Dashboard covering screw(s)

2 Dashboard covering

3 Steering column sheet-metal covering screw(s)

4 Steering column sheet-metal covering

Unscrew universal joint bolt(s). **(1)**
 Remove the universal joint upward from the steering gear. **(2)**
 Unscrew and remove steering column nut(s). **(3)**
 Unscrew the steering column screw(s). **(4)**
 Remove the steering column. **(5)**
(see figure 5)

Convert following components when replacing the steering column:

- Ignition lock
- Intermediate steering shaft
- Electric motor for power steering

Install:

Installation in reverse order of removal.

Remove steering column blocking tool. **(1)**

Required special tools

Steering column blocking tool OE **(1870761000)**

(see figure 3)

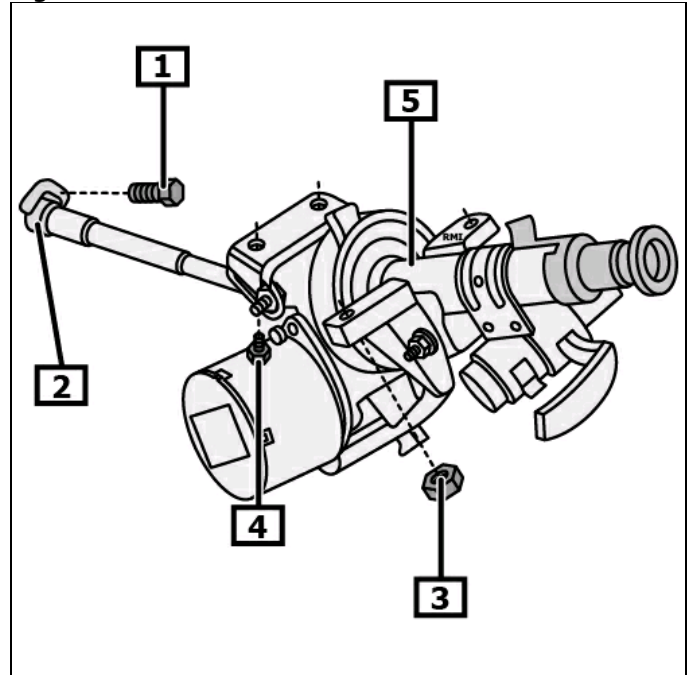
Code radio and reprogram vehicle settings if required.
 Check electrical system for function.

Teach the steering angle sensor.

Teach steering angle sensor using appropriate diagnostic unit.

Note position of EOBD connection.

Figure 5



1 Universal joint bolt(s)

2 Steering gear universal joint

3 Steering column nut(s)

4 Steering column screw(s).

5 Steering column