



Renault Clio III



DANGER

Airbag unit can trigger unintentionally!

Airbag unit is a pyrotechnic component that can lead to death on improper handling!

Only specially trained employees may carry out any work on the airbag system.

Disconnect the battery.

Always store airbag unit with the padded side pointing upward.

Always transport airbag unit in appropriate packaging.

Never leave airbag unit unattended, but lock safely in an appropriate cabinet.

Do not open or repair airbag unit.

Only install airbag unit in undamaged condition.

Do not perform any measurements on the airbag unit using a test lamp or multimeter.

Wear protective gloves and safety goggles.

No person may stay inside the vehicle when re-connecting the battery.

NOTE

Ensure proper cleanliness when working on the servo-steering.

Steering column adjustment must remain locked during steering column removal.

Generally replace self-locking as well as corroded screws and nuts.

Repair work of any kind on the electromechanical steering column is not permissible, it must basically be completely replaced.

Observe disposal regulations!

Do not use oils, fats, chemicals and cleaners not approved by the manufacturer on airbag units.

The illustrations of these installation instructions are exemplary and are only intended for better understanding.

Torques

Tightening torques

Self-locking screws and nuts must always be replaced.

Screw(s) from electronic steering column lock control unit (1)	(see Figure 4)		Left-hand thread 8 Nm
Universal joint bolt(s) (2)	(see Figure 7)	Use new screw(s) and nut(s).	24 Nm
Steering column nut(s) (1)	(see Figure 8)		21 Nm
Steering wheel screw		Use new screw(s).	44 Nm
Intermediate steering shaft screw(s)			at steering column 32 Nm

Remove:

Unlock steering column adjusting lever.

Deactivate airbag system.

Note position of EOBD connection.

Turn the steering wheel to the central position.

Disconnect battery (negative terminal).

Keep waiting time of min. 10 s.

Remove driver's airbag.

Disconnect driver's airbag electric plug connection(s).

Demount steering wheel.

Remove footwell covering(s) bottom left.

Remove cover(s) at side of dashboard. **(1)**

Demount trim moulding(s). **(2)**

Unscrew cover screw(s). **(3)**

Remove dashboard cover(s) bottom. **(4)**

Disconnect electric connectors.

(see Figure 1)

Unscrew and remove steering column shroud(s) lower screw(s).

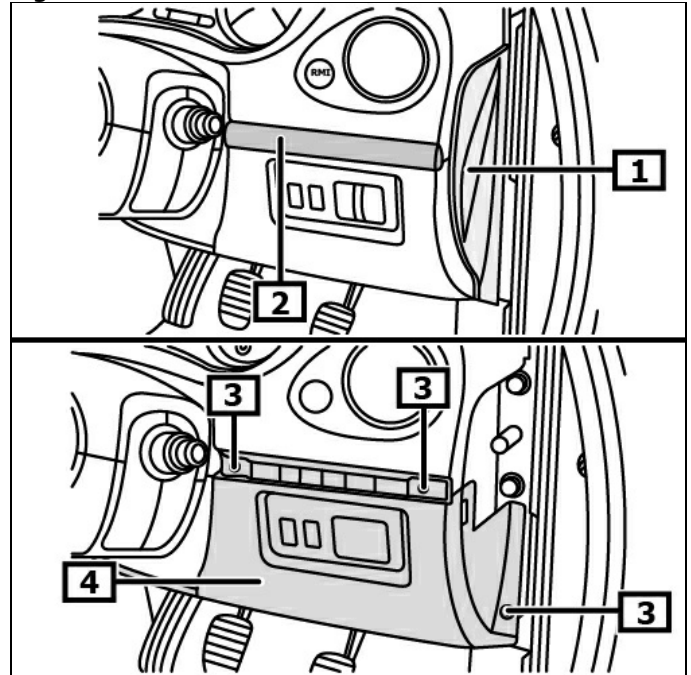
Remove lower steering column shroud. **(1)**

Release the retaining clamp(s). **(2)**

Remove upper steering column shroud. **(3)**

(see Figure 2)

Figure 1



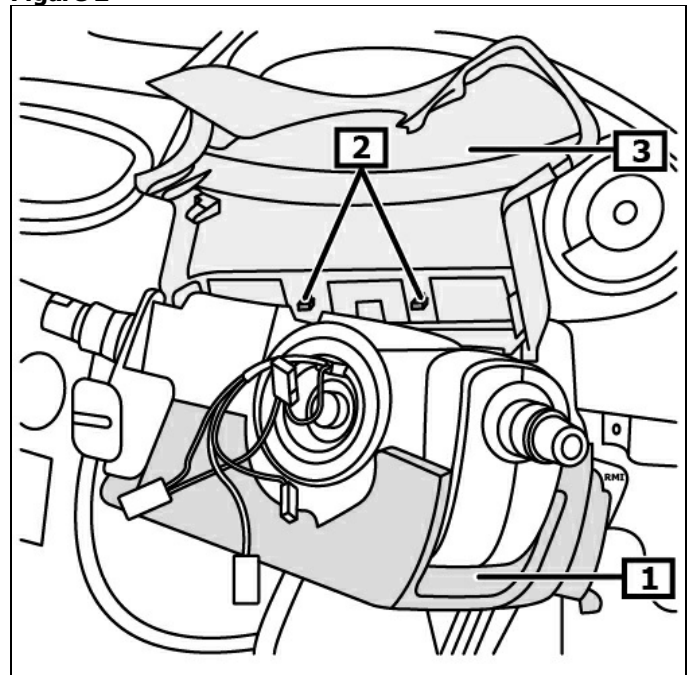
1 Cover(s) at side of dashboard.

2 Trim moulding

3 Cover screw(s)

4 Dashboard cover(s) bottom

Figure 2



1 Lower steering column shroud

2 Retaining Clamps

3 Upper steering column shroud

Marking on contact unit must align with reference edge.

(1)(2)

Loosen steering column module clamping collar(s).

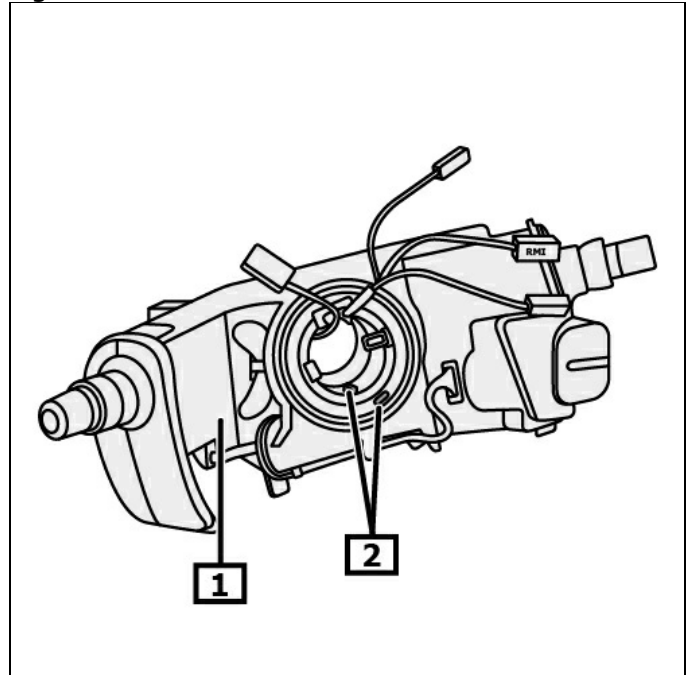
Remove steering column module incl. steering-column switch.

(1)

Disconnect electric connectors.

(see Figure 3)

Figure 3



1 Steering column module

2 Mark(s)

For vehicles with keyless access system:

Unscrew and remove screw(s) from electronic steering column lock control unit. **(1)**

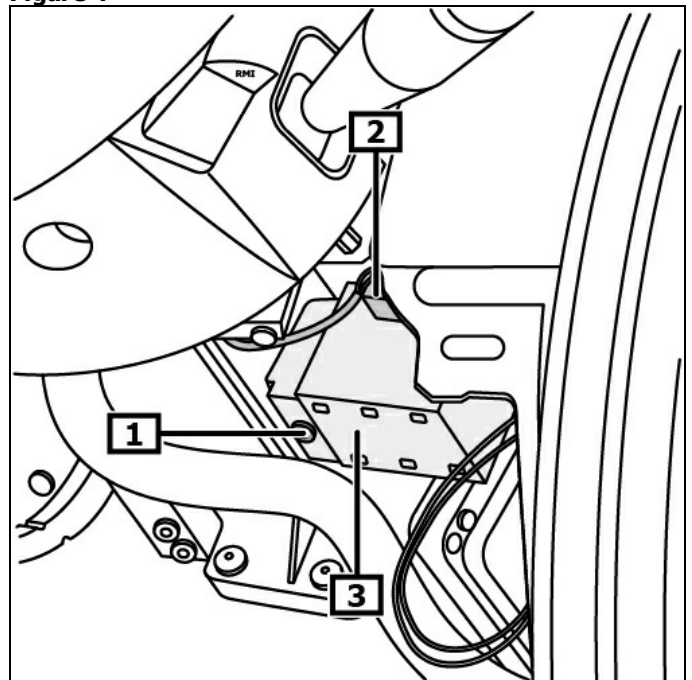
The screw has a left-hand thread.

Disconnect electric connectors. **(2)**

Remove electronic steering column lock control unit. **(3)**

(see Figure 4)

Figure 4



1 Screw(s) from electronic steering column lock control unit

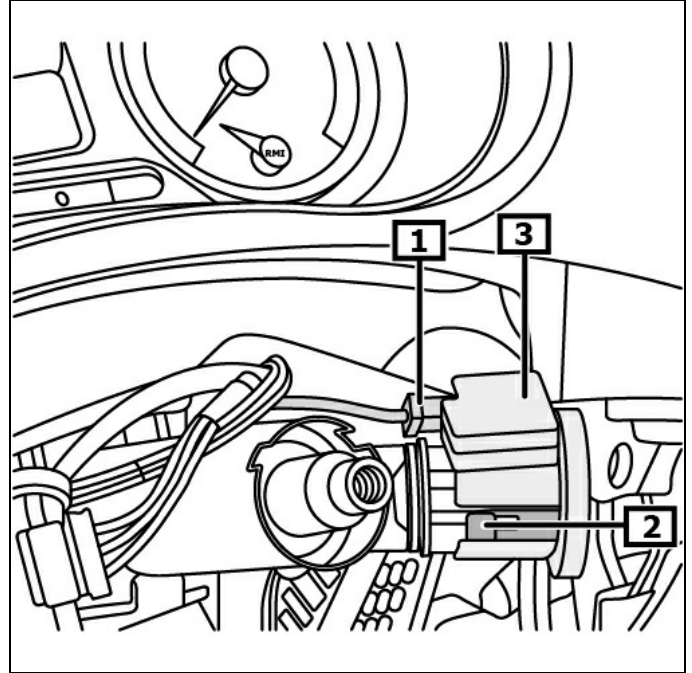
2 Electrical connection(s)

3 Electronic steering column lock control unit

On vehicles without keyless access system:

Disconnect immobilizer reading coil electric plug connection. **(1)**
Loosen immobilizer reading coil lock. **(2)**
Demount read coil of immobilizer. **(3)**
(see Figure 5)

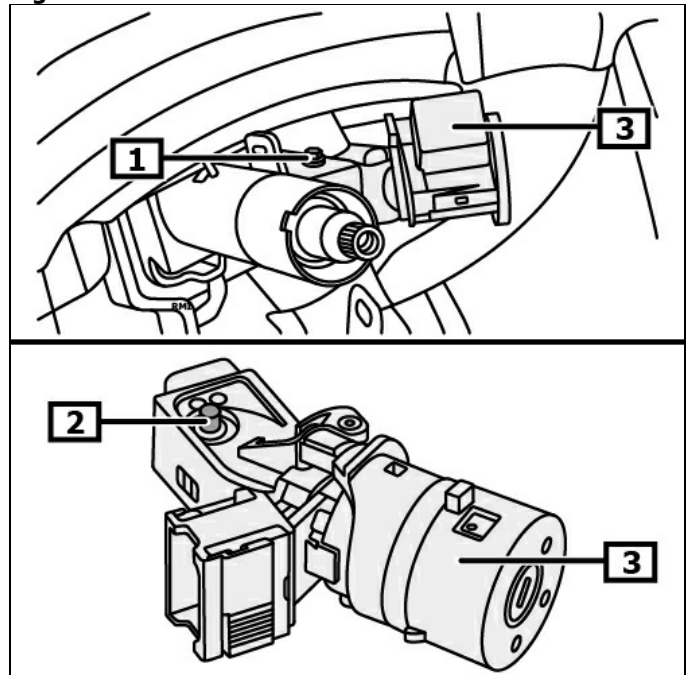
Figure 5



1 Immobilizer reading coil electric plug connection **2** Immobilizer reading coil lock
3 Immobilizer reading coil

Notch, unscrew and remove ignition lock shear-off screw(s). **(1)**
Disconnect ignition lock electric plug connection(s).
Push ignition lock retaining pin(s) downward. **(2)**
Demount ignition lock. **(3)**
(see Figure 6)

Figure 6



1 Ignition lock shear-off screw(s) **2** Retaining pin(s)
3 Ignition lock

Continuation for all vehicles

Fold back footwell covering, driver side.

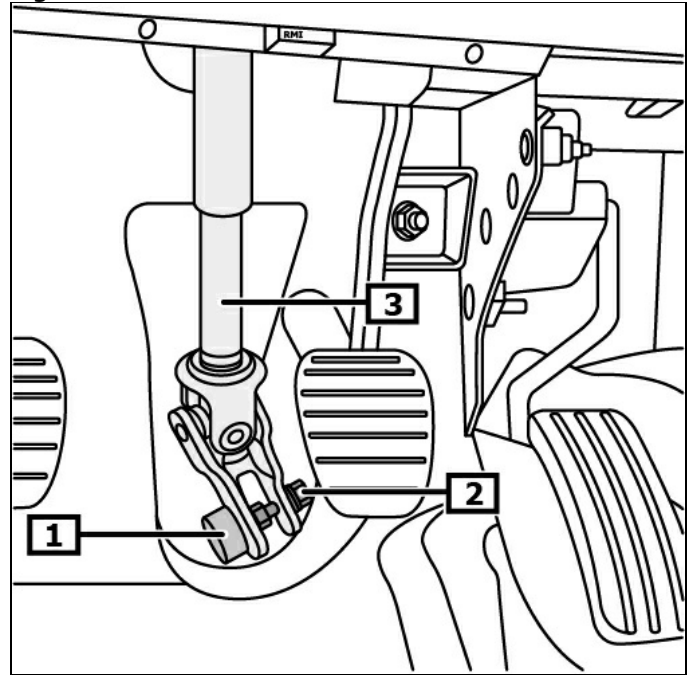
Remove support ring. **(1)**

Unscrew universal joint bolt(s). **(2)**

Observe installation position!

Remove the universal joint upward from the steering gear. **(3)**
(see Figure 7)

Figure 7



1 Supporting ring

2 Universal joint bolt(s)

3 Intermediate steering shaft

Unscrew and remove steering column nut(s). **(1)**

Insert spacing piece(s) of approx. 20 length between floor plate and intermediate steering shaft screw on steering column.

Loosen steering column from the fixings. **(2)**

Put steering column onto spacing piece.

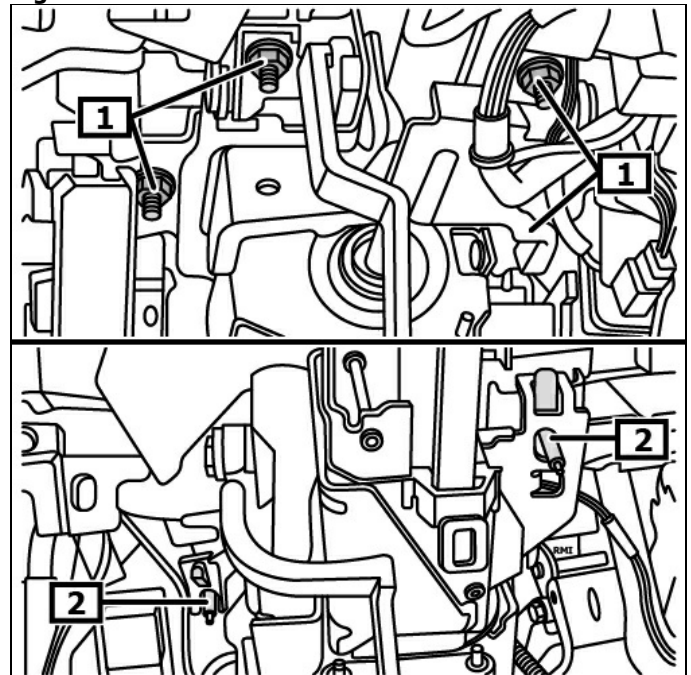
Disconnect steering column electric plug connection(s).

(see Figure 8)

Convert following components when replacing the steering column:

- Ignition lock
- Intermediate steering shaft

Figure 8



1 Steering column nut(s)

2 Attachment

Install:

Installation in reverse order of removal.

Make sure that the universal joint screw is seated centered in the steering spindle recess! (1) - (4) (see Figure 9)

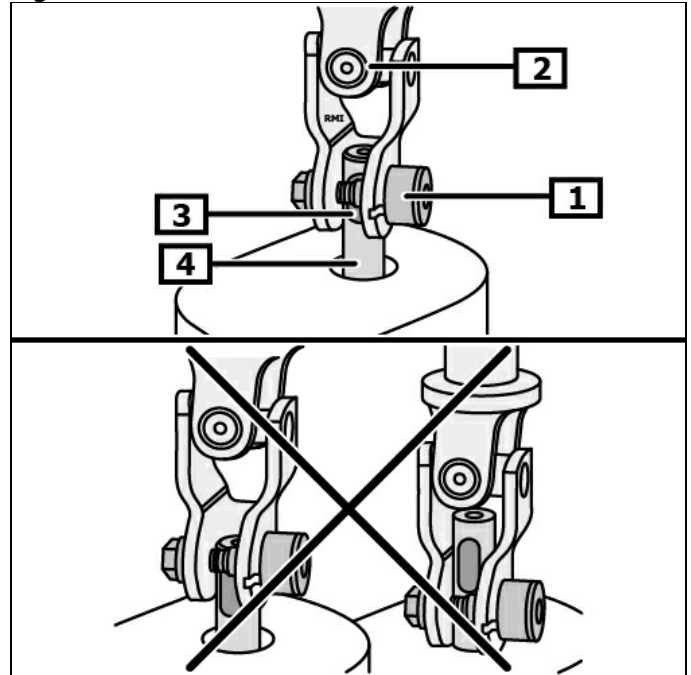
Continue assembly in reverse order of removal.

Code radio and reprogram vehicle settings if required.
Check electrical system for function.

Teach the steering angle sensor.

Teach steering angle sensor using appropriate diagnostic unit.
Note position of EOBD connection.

Figure 9



1 Universal joint bolt(s)

2 Steering gear universal joint

3 Recess

4 Steering spindle