



Hyundai i30 (FD)



### **DANGER**

**Airbag unit can trigger unintentionally!**

**Airbag unit is a pyrotechnic component that can lead to death on improper handling!**

**Only specially trained employees may carry out any work on the airbag system.**

**Disconnect the battery.**

**Always store airbag unit with the padded side pointing upward.**

**Always transport airbag unit in appropriate packaging.**

**Never leave airbag unit unattended, but lock safely in an appropriate cabinet.**

**Do not open or repair airbag unit.**

**Only install airbag unit in undamaged condition.**

**Do not perform any measurements on the airbag unit using a test lamp or multimeter.**

**Wear protective gloves and safety goggles.**

**No person may stay inside the vehicle when re-connecting the battery.**

### **NOTE**

**Ensure proper cleanliness when working on the servo-steering.**

**Generally replace self-locking as well as corroded screws and nuts.**

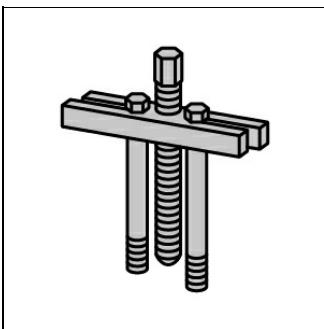
**Repair work of any kind on the electromechanical steering column is not permissible, it must basically be completely replaced.**

**Observe disposal regulations!**

**Do not use oils, fats, chemicals and cleaners not approved by the manufacturer on airbag units.**

**The illustrations of these installation instructions are exemplary and are only intended for better understanding.**

### **Required special tools**



**Puller**

**AUT (09561-11001)**

## Torques

### Tightening torques

**Self-locking screws and nuts must always be replaced.**

Steering wheel nut(s)	<b>(see Figure 1)</b>	<b>40 - 50 Nm</b>
Universal joint bolt(s)	<b>(see Figure 4)</b>	<b>30 - 35 Nm</b>
Steering column		<b>Nut(s) 13 - 18 Nm; Screw(s) 13 - 18 Nm</b>

**Remove:**

Move steering wheel to the centre position and let steering lock engage.

Disconnect battery (negative terminal).

Keep waiting time of min. 30 s.

Remove driver's airbag.

Disconnect electric connectors.

**Remove steering wheel and contact unit only when they are in centre position.**

Unscrew the steering wheel nut(s). **(1)**

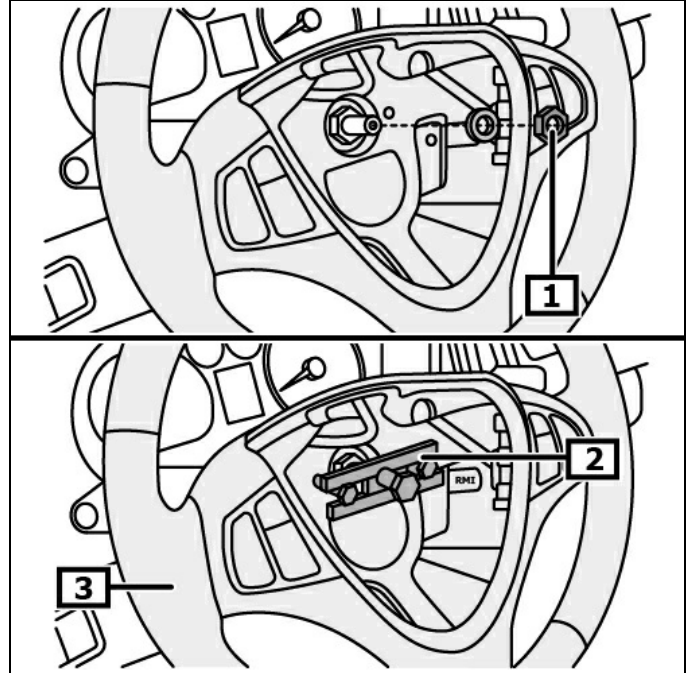
Pull off steering wheel from steering spindle using puller. **(2)(3)**

**Required special tools:**

Puller **AUT (09561-11001)**

**(see Figure 1)**

**Figure 1**



**1** Steering wheel nut(s)

**2** Steering wheel

**3** Puller

Unscrew and remove steering column shroud(s) screw(s). **(1)**

Remove steering column panel(s). **(2)**

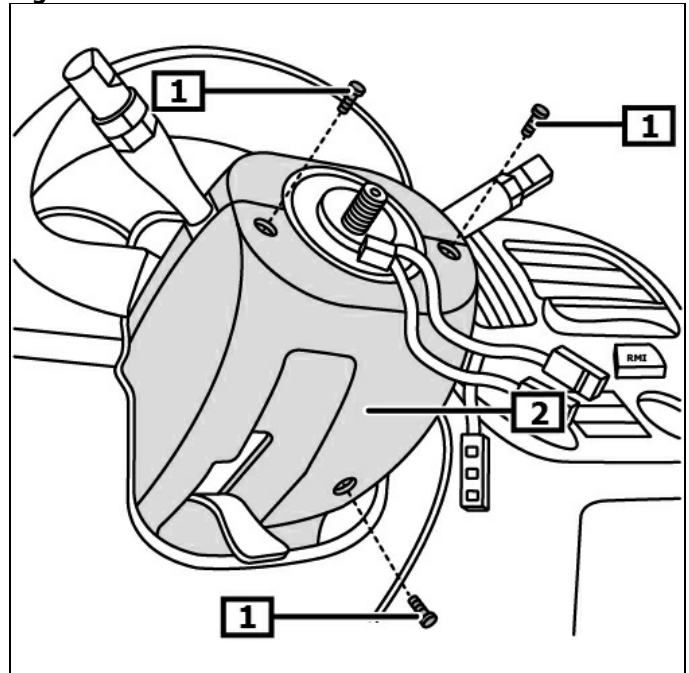
**(see Figure 2)**

Loosen contact unit electric plug connection.

Remove contact unit.

Demount steering-column switch.

**Figure 2**

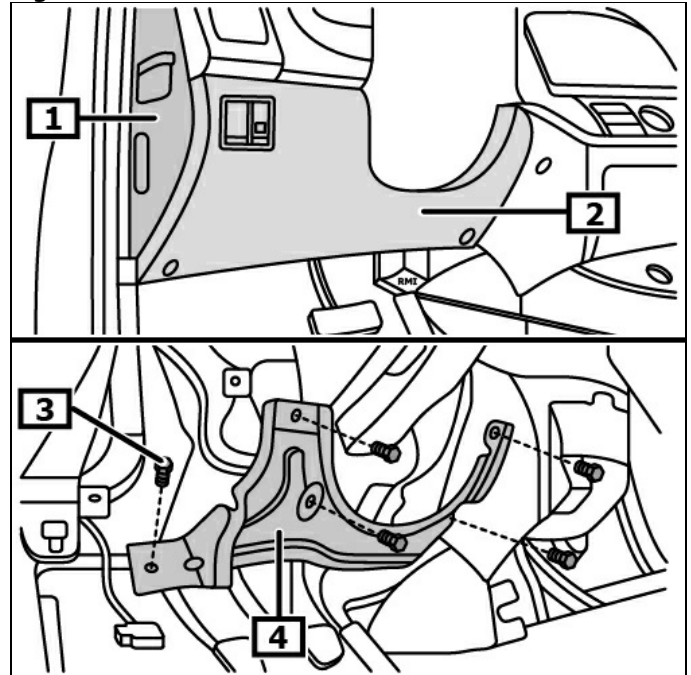


**1** Steering column shroud(s)

**2** Steering column shroud(s) screw(s)

Remove cover(s) at side of dashboard. **(1)**  
 Remove dashboard covering. **(2)**  
 Unscrew the reinforcement plate(s) screw(s). **(3)**  
 Remove reinforcement plate. **(4)**  
**(see Figure 3)**

**Figure 3**

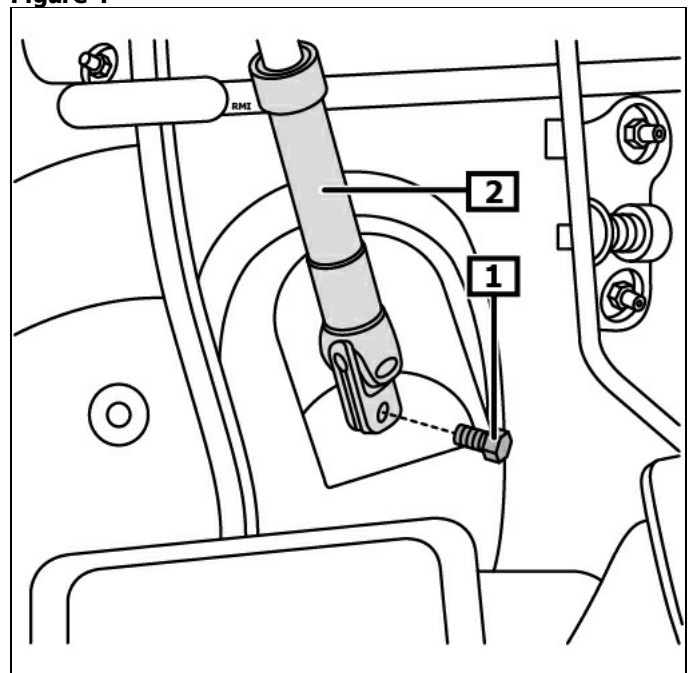


**1** Cover(s) at side of dashboard.      **2** Dashboard covering  
**3** Screw(s) - reinforcement plate(s)   **4** Reinforcing plate(s)

Unscrew universal joint bolt(s). **(1)**  
 Remove the universal joint upward from the steering gear. **(2)**  
**(see Figure 4)**

Disconnect steering column electric plug connection(s).  
 Unscrew and remove steering column nut(s).  
 Unscrew the steering column screw(s).

**Figure 4**



**1** Universal joint bolt(s)      **2** Steering universal joint

Remove the steering column. **(1)**

Convert following components when replacing the steering column:

- Ignition starter switch
  - Ignition lock **(2)**
  - Intermediate steering shaft **(3)**
- (see Figure 5)**

### **Install:**

**Grease bearing points and sliding surfaces during installation.**

**Installation in reverse order of removal.**

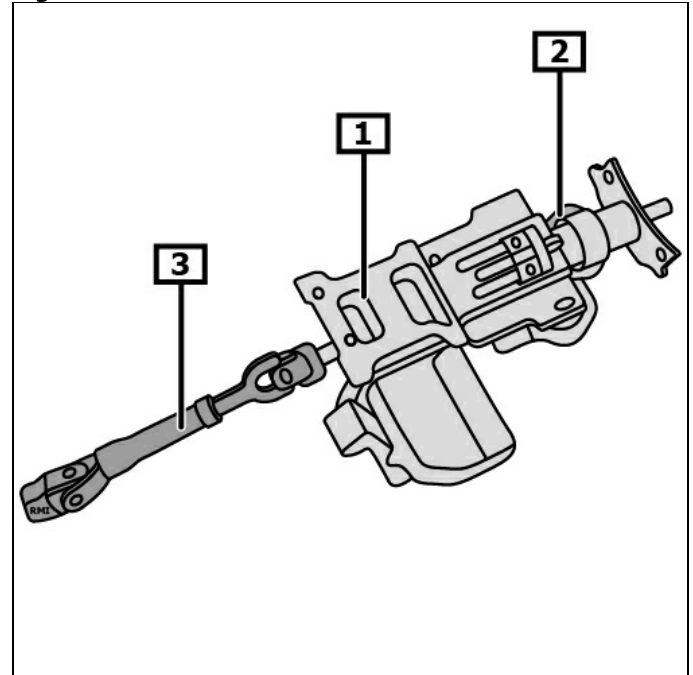
Code radio and reprogram vehicle settings if required.  
Check electrical system for function.

### **Teach the steering angle sensor.**

Teach steering angle sensor using appropriate diagnostic unit.

**Note position of EOBD connection.**

**Figure 5**



**1 Steering column**

**2 Ignition lock**

**3 Intermediate steering shaft**