



Fiat Idea (350), Lancia Musa (350)



DANGER

Airbag unit can trigger unintentionally!

Airbag unit is a pyrotechnic component that can lead to death on improper handling!

Only specially trained employees may carry out any work on the airbag system.

Disconnect the battery.

Always store airbag unit with the padded side pointing upward.

Always transport airbag unit in appropriate packaging.

Never leave airbag unit unattended, but lock safely in an appropriate cabinet.

Do not open or repair airbag unit.

Only install airbag unit in undamaged condition.

Do not perform any measurements on the airbag unit using a test lamp or multimeter.

Wear protective gloves and safety goggles.

No person may stay inside the vehicle when re-connecting the battery.

NOTE

Ensure proper cleanliness when working on the servo-steering.

Generally replace self-locking as well as corroded screws and nuts.

Repair work of any kind on the electromechanical steering column is not permissible, it must basically be completely replaced.

Observe disposal regulations!

Do not use oils, fats, chemicals and cleaners not approved by the manufacturer on airbag units.

The illustrations of these installation instructions are exemplary and are only intended for better understanding.

Torques

Tightening torques

Self-locking screws and nuts must always be replaced.

Universal joint bolt(s) (1)	(see Figure 8)	Use new screw(s).	M10 50 - 61 Nm
Steering column screw(s). (3)	(see Figure 8)		M8 20 - 24 Nm
Steering wheel nut(s)		Use new nut(s).	M16 45 - 55 Nm

Remove:

Move steering wheel to the centre position and let steering lock engage.

Switch off ignition.

Wait 20 minutes after switching off the ignition.

Disconnect battery (negative terminal).

Keep waiting time of min. 10 min.

Carefully remove gearshift lever cover(s) using a lever and place over gearshift knob. **(1)**

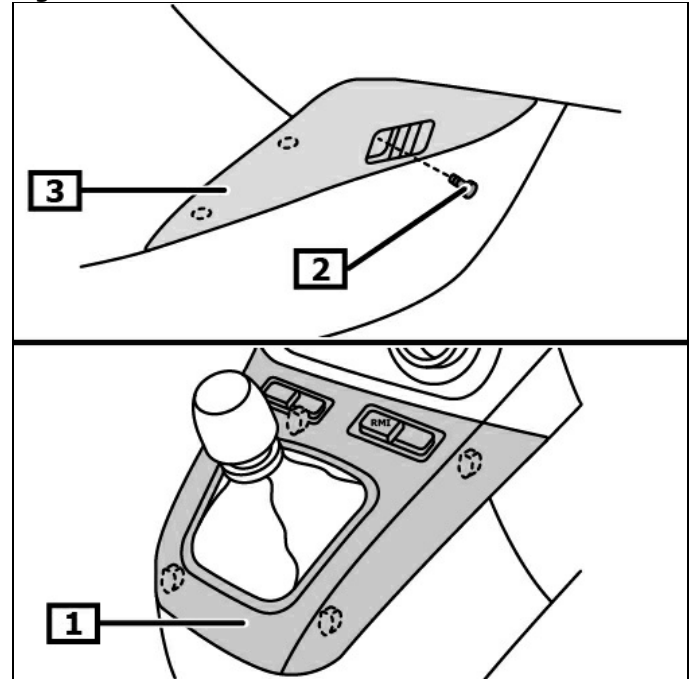
Disconnect electric connectors.

Unscrew cover screw(s). **(2)**

Remove cover(s) at side of dashboard. **(3)**

(see Figure 1)

Figure 1



1 Gearshift lever cover(s)

2 Cover screw(s)

3 Cover(s) at side of dashboard.

Unscrew cover screw(s). **(1)**

Demount cover of fuse box. **(2)**

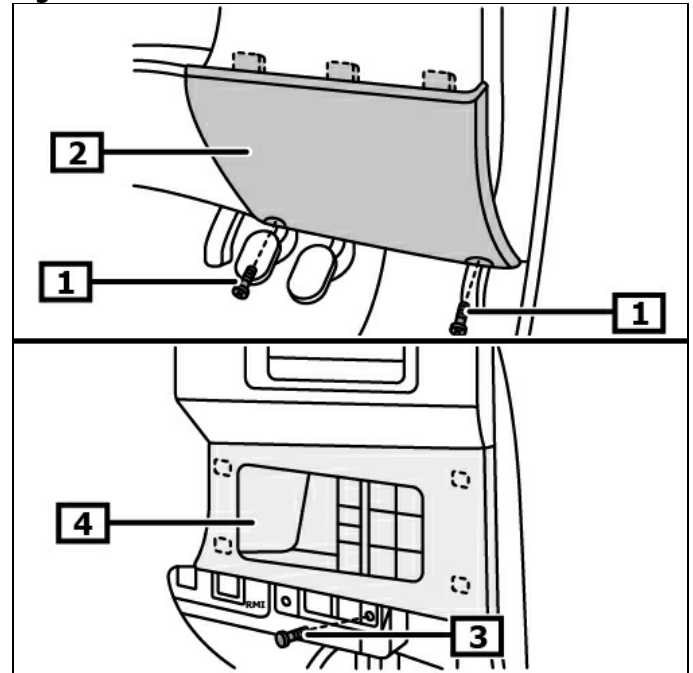
Unscrew cover screw(s). **(3)**

Remove light switch cover. **(4)**

(see Figure 2)

Disconnect electric connectors.

Figure 2



1 Cover screw(s)

2 Fuse box cover

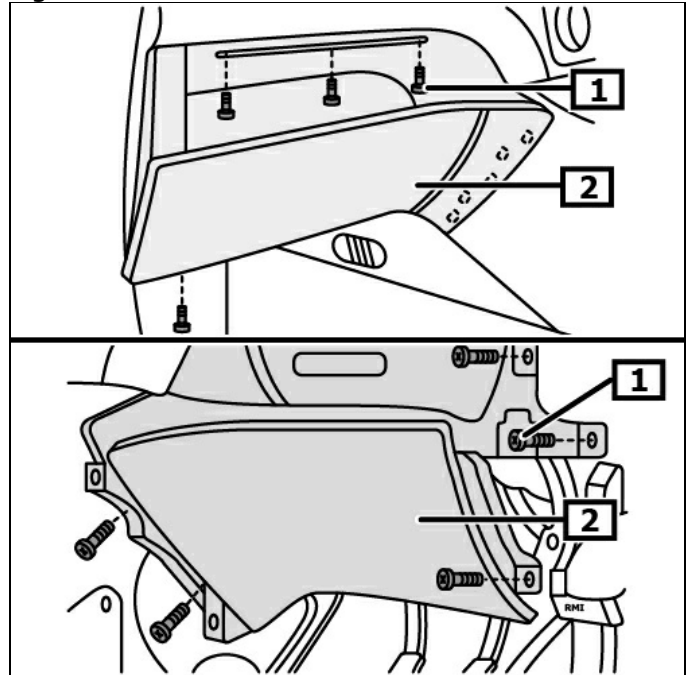
3 Cover screw(s)

4 Light switch cover

Perform following workflow on both sides.

Unscrew cover screw(s). **(1)**
Remove dashboard cover(s) bottom. **(2)**
(see Figure 3)

Figure 3

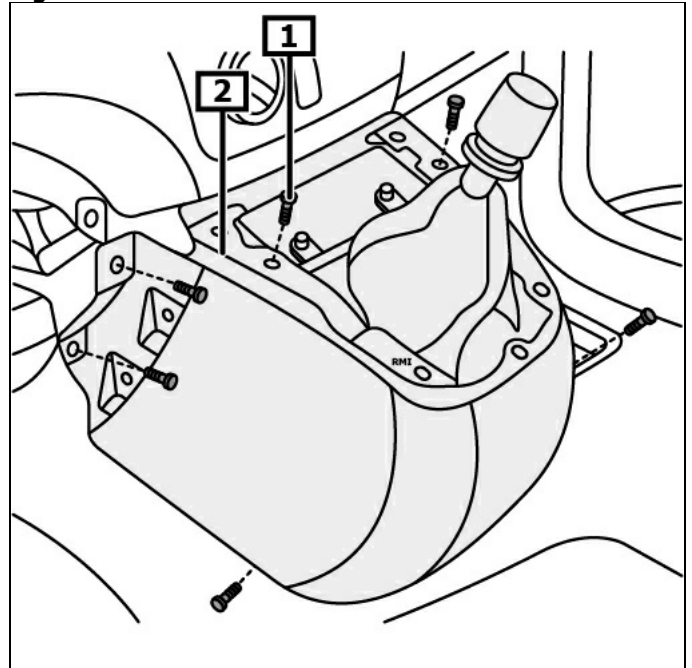


1 Cover screw(s)

2 Remove dashboard cover(s)
bottom.

Unscrew and remove switch console trim screw(s). **(1)**
Remove switch console trim. **(2)**
(see Figure 4)

Figure 4



1 Switch console trim screw(s)

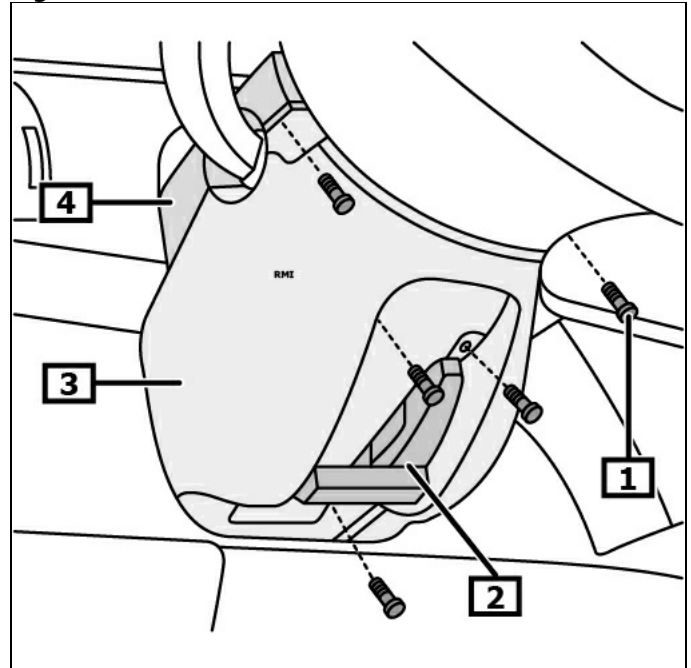
2 Switch console trim

Remove driver's airbag.

Disconnect driver's airbag electric plug connection(s).
Demount steering wheel.

Unscrew and remove steering column shroud(s) screw(s). **(1)**
Unlock steering column adjusting lever. **(2)**
Remove lower steering column shroud. **(3)**
Remove upper steering column shroud. **(4)**
Lock steering column adjusting lever.
(see Figure 5)

Figure 5



1 Steering column shroud(s)

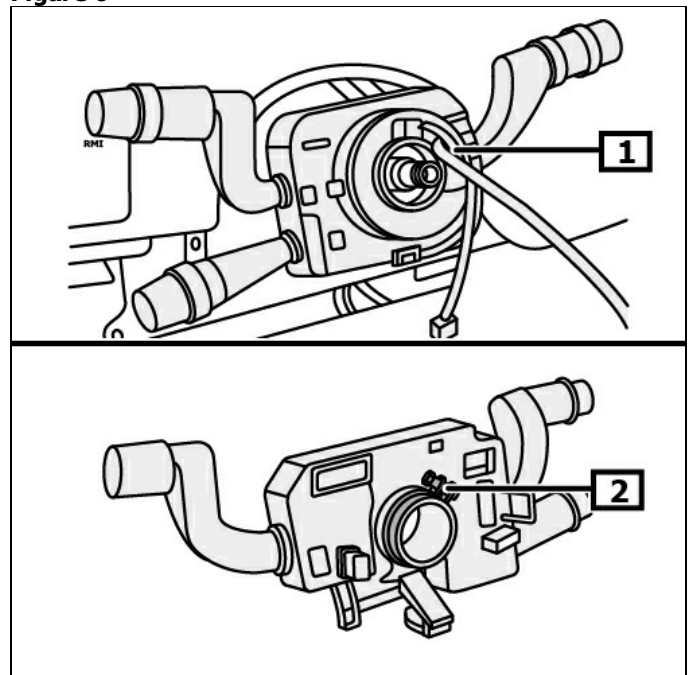
2 Steering column adjusting lever screw(s)

3 Lower steering column shroud

4 Upper steering column shroud

Loosen slip ring electric plug connection.
Loosen steering column module retaining device. **(1)**
Disconnect electric connectors.
Remove steering column module incl. steering-column switch.
(2)
(see Figure 6)

Figure 6

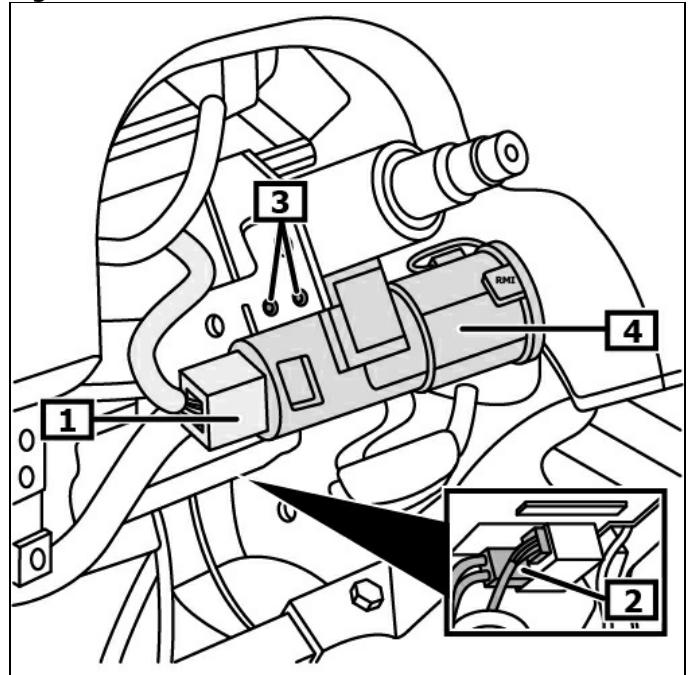


1 Steering column module retaining device

2 Steering column module retaining device

Disconnect ignition lock electric plug connection(s). **(1)**
 Disconnect the electrical plug connection at the electric servo-steering control unit. **(2)**
(see Figure 7)

Figure 7



1 Ignition lock electric plug connection(s)

2 Electric plug connection of electric power steering control unit

3 Screw(s), ignition lock

4 Ignition lock

Unscrew universal joint bolt(s). **(1)**
 Remove the universal joint upward from the steering gear. **(2)**

Disconnect steering column electric plug connection(s).

Unscrew the steering column screw(s). **(3)**
 Lower steering column for dismantling and turn it clockwise. **(4)**
(see Figure 8)

Convert following components when replacing the steering column:

- Ignition lock **(3)(4)**
(see Figure 7)

- Intermediate steering shaft **(2)(5)**
(see Figure 8)

Install:

Installation in reverse order of removal.

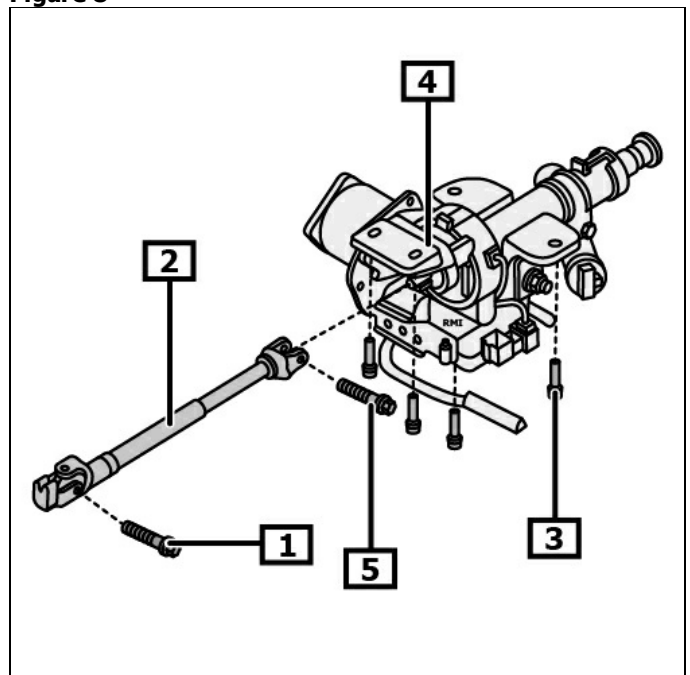
Code radio and reprogram vehicle settings if required.
 Check electrical system for function.

Teach the steering angle sensor.

Teach steering angle sensor using appropriate diagnostic unit.

Note position of EOBD connection.

Figure 8



1 Universal joint bolt(s)

2 Intermediate steering shaft

3 Steering column screw(s).

4 Steering column

5 Universal joint bolt(s)