



Fiat Grande Punto (199), Punto (199), Punto Evo (199)



DANGER

Airbag unit can trigger unintentionally!

Airbag unit is a pyrotechnic component that can lead to death on improper handling!

Only specially trained employees may carry out any work on the airbag system.

Disconnect the battery.

Always store airbag unit with the padded side pointing upward.

Always transport airbag unit in appropriate packaging.

Never leave airbag unit unattended, but lock safely in an appropriate cabinet.

Do not open or repair airbag unit.

Only install airbag unit in undamaged condition.

Do not perform any measurements on the airbag unit using a test lamp or multimeter.

Wear protective gloves and safety goggles.

No person may stay inside the vehicle when re-connecting the battery.

NOTE

Ensure proper cleanliness when working on the servo-steering.

Steering column adjustment must remain locked during steering column removal.

Generally replace self-locking as well as corroded screws and nuts.

Repair work of any kind on the electromechanical steering column is not permissible, it must basically be completely replaced.

Observe disposal regulations!

Do not use oils, fats, chemicals and cleaners not approved by the manufacturer on airbag units.

The illustrations of these installation instructions are exemplary and are only intended for better understanding.

Torques

Tightening torques

Self-locking screws and nuts must always be replaced.

Universal joint bolt(s) (1)	(see Figure 5)	Use new screw(s).	M10 50 - 60 Nm; M8 27 - 33 Nm
Steering column (3)	(see Figure 6)		M8 16 - 24 Nm
Steering wheel screw			M15 27 - 33 Nm

Remove:

Move steering wheel to the centre position and let steering lock engage.

Disconnect battery (negative terminal).

Keep waiting time of min. 10 s.

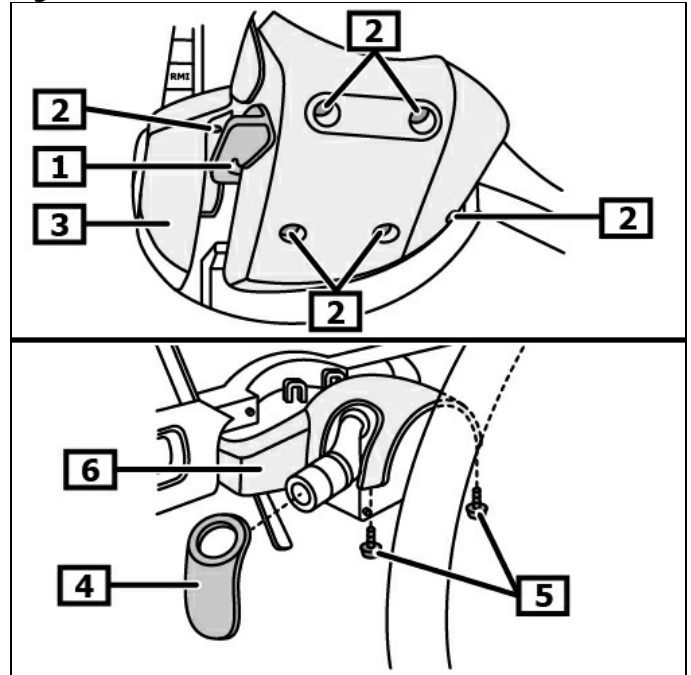
Remove driver's airbag.

Disconnect driver's airbag electric plug connection(s).
Demount steering wheel.

Unlock steering column adjusting lever. **(1)**
Unscrew and remove steering column shroud(s) lower screw(s). **(2)**
Remove lower steering column shroud. **(3)**
Remove steering column switch cover. **(4)**
Unscrew and remove steering column shroud(s) upper screw(s). **(5)**
Remove upper steering column shroud. **(6)**
(see Figure 1)

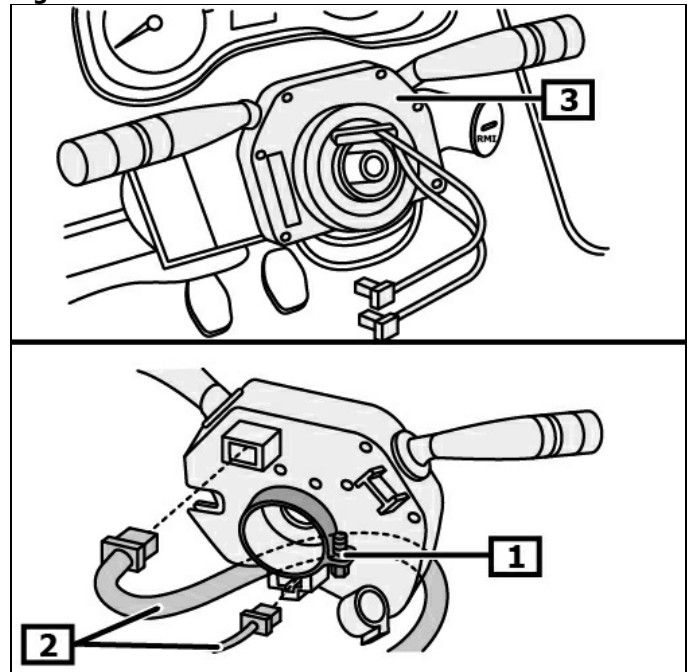
Loosen steering column module retaining device. **(1)**
Disconnect electric connectors. **(2)**
Remove steering column module incl. steering-column switch. **(3)**
(see Figure 2)

Figure 1



- | | |
|--|--|
| 1 Steering column adjusting lever | 2 Steering column shroud(s) lower screw(s) |
| 3 Lower steering column shroud | 4 Steering column switch cover |
| 5 Steering column shroud(s) upper screw(s) | 6 Upper steering column shroud |

Figure 2



- | | |
|---|----------------------------|
| 1 Steering column module retaining device | 2 Electrical connection(s) |
| 3 Steering column module | |

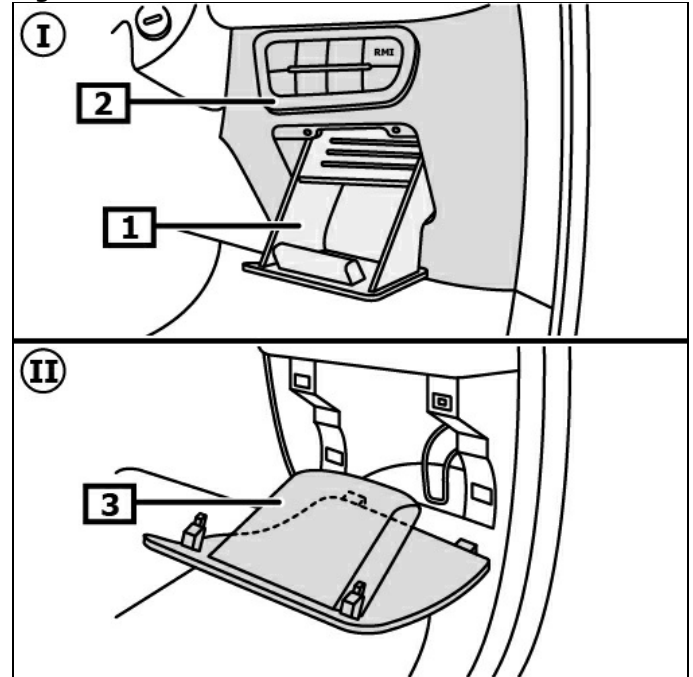
Depending on version:

Open storage box. **(I) (1)**

Remove the fuse box cover. **(I) (2)**

Remove the fuse box cover. **(II) (3)**
(see Figure 3)

Figure 3



I Version 1

II Version 2

1 Parcel tray

2 Fuse box cover

3 Fuse box cover

Remove the footwell air outlet vent.

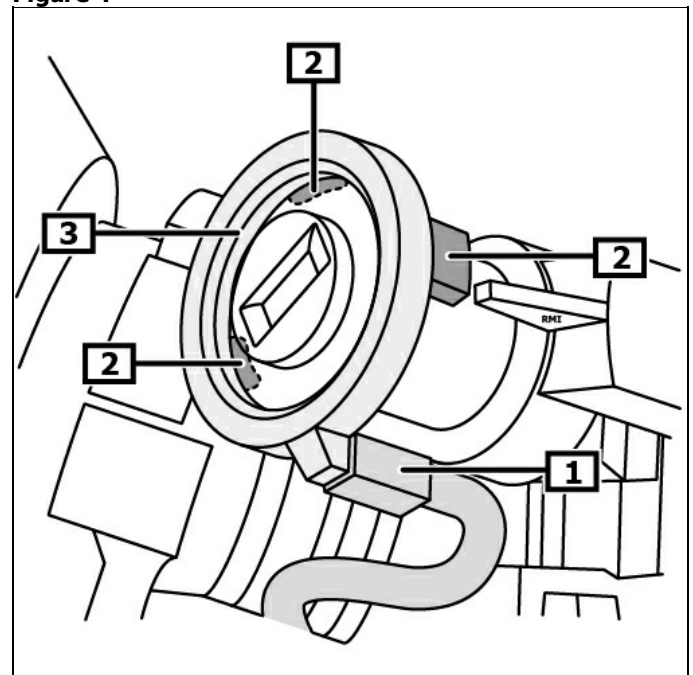
Loosen reading coil electric plug connection. **(1)**

Loosen immobilizer reading coil lock. **(2)**

Demount read coil of immobilizer. **(3)**

(see Figure 4)

Figure 4



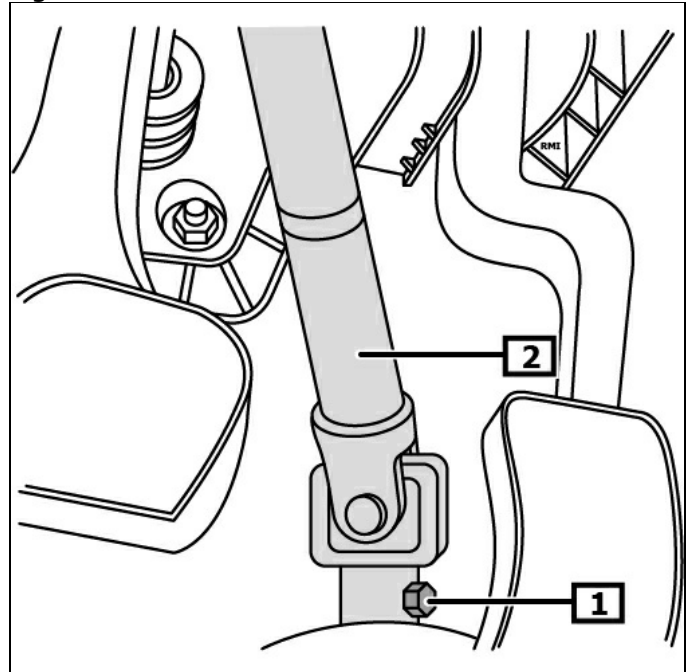
1 Reading coil electric plug connection

2 Immobilizer reading coil lock

3 Immobilizer reading coil

Unscrew universal joint bolt(s). **(1)**
 Remove the universal joint upward from the steering gear. **(2)**
(see Figure 5)

Figure 5



1 Universal joint bolt(s)

2 Intermediate steering shaft

Disconnect steering column electric plug connection(s).

Unscrew and remove steering column nut(s). **(1)**
 Unscrew the steering column screw(s). **(2)**
 Remove the steering column. **(3)**
(see Figure 6)

Convert following components when replacing the steering column:

- Ignition lock
- Intermediate steering shaft

Install:

Installation in reverse order of removal.

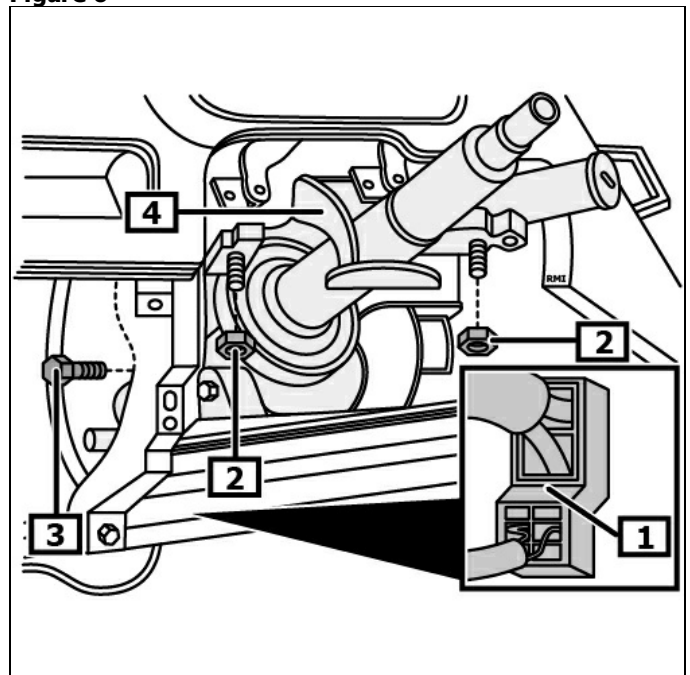
Code radio and reprogram vehicle settings if required.
 Check electrical system for function.

Teach the steering angle sensor.

Teach steering angle sensor using appropriate diagnostic unit.

Note position of EOBD connection.

Figure 6



1 Steering column nut(s)

2 Steering column screw(s).

3 Steering column