



KIA Cerato

313 529 / 313 530 / 315 171 / 315 172 / ...

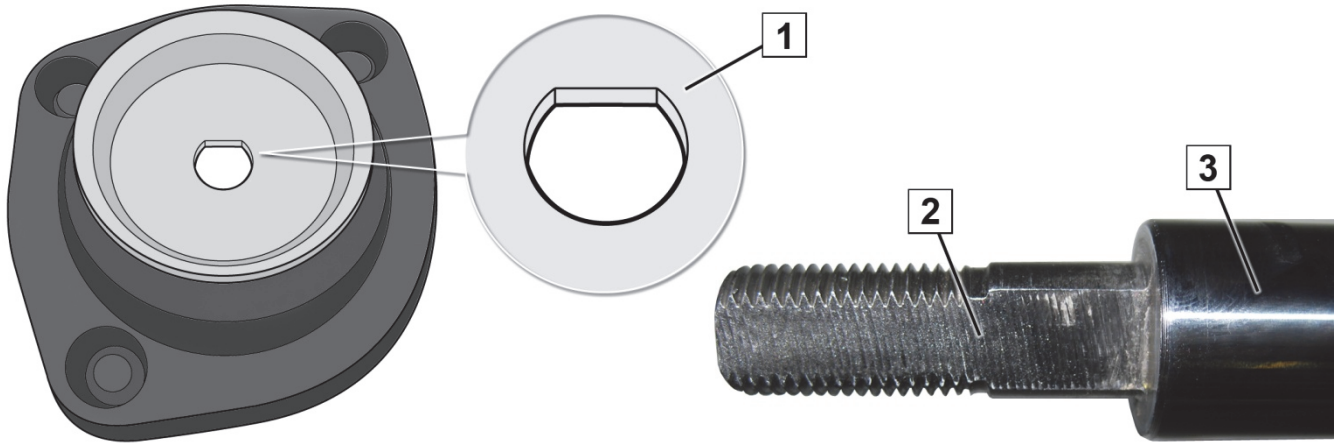


Fig. 1: Suspension strut mount and shock absorber rear axle (→ 09.2006)

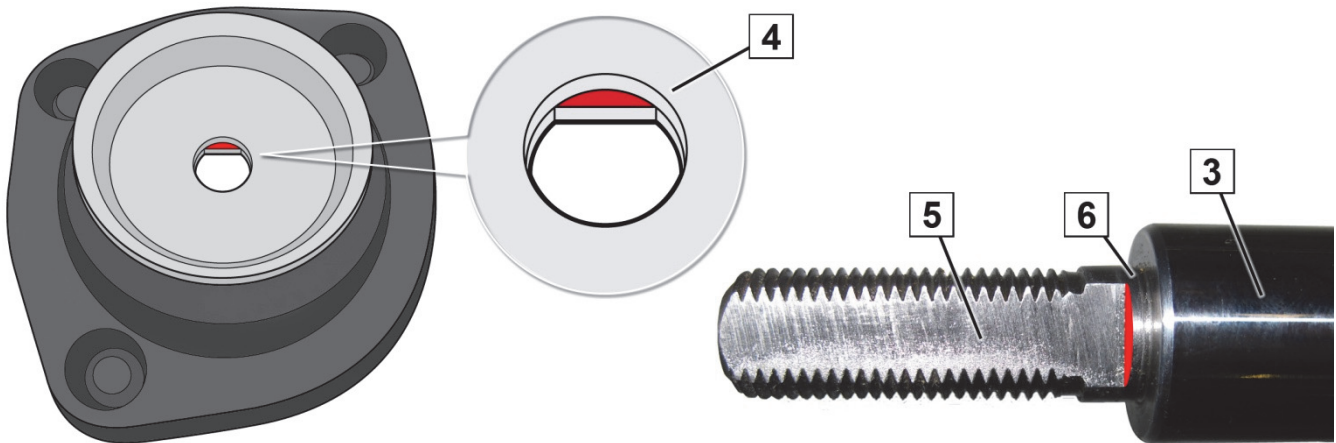


Fig. 2: Suspension strut mount and shock absorber rear axle (10.2006 →)

- | | |
|---------------------------------------|--|
| 1 Receiver for stud joint | 4 Receiver for stud joint with shoulder |
| 2 Stud joint with short thread | 5 Stud joint with long thread |
| 3 Piston rod | 6 Shoulder |



		SACHS	Fig.
	→ 09.2006	313 530	1
	10.2006 →	315 172	2
	→ 09.2006	313 529	1
	10.2006 →	315 171	2

Table 1

Prior to assembly, please note:

- Check whether the suspension strut mount and the shock absorber are compatible. (Table 1).
- Mixing components →09.2006 and 10.2006→ can cause noises (rattling).
- Note the details of the vehicle manufacturer.



www.zf.com/serviceinformation