



KIA Cerato

30-H97-A / 30-H98-A / 30-M15-A / 30-M16-A / ...

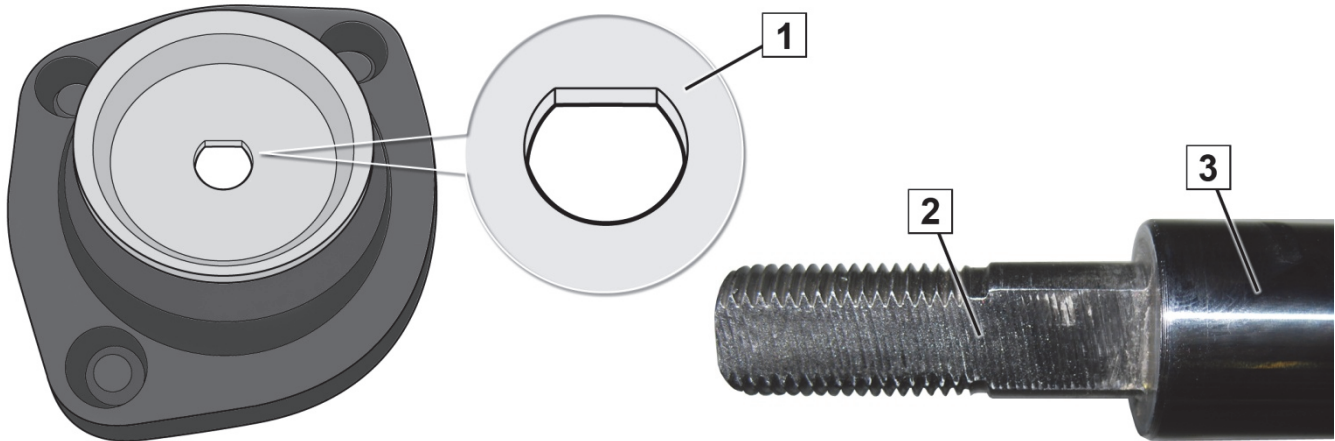


Fig. 1: Suspension strut mount and shock absorber rear axle (→ 09.2006)

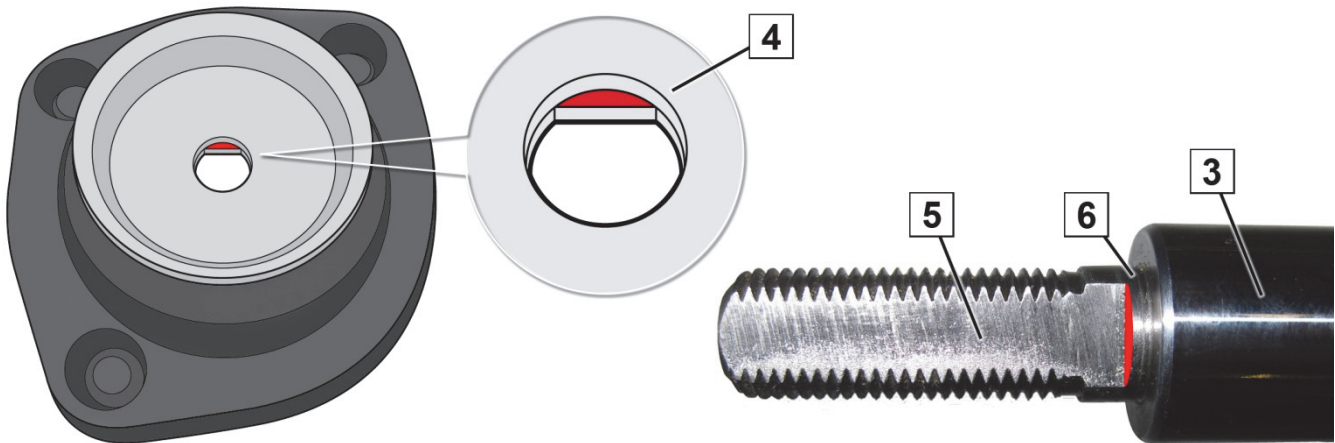


Fig. 2: Suspension strut mount and shock absorber rear axle (10.2006 →)

- | | |
|---------------------------------------|--|
| 1 Receiver for stud joint | 4 Receiver for stud joint with shoulder |
| 2 Stud joint with short thread | 5 Stud joint with long thread |
| 3 Piston rod | 6 Shoulder |



		BOGE	Fig.
	→ 09.2006	30-H98-A	1
	10.2006 →	30-M16-A	2
	→ 09.2006	30-H97-A	1
	10.2006 →	30-M15-A	2

Table 1

Prior to assembly, please note:

- Check whether the suspension strut mount and the shock absorber are compatible. (Table 1).
- Mixing components →09.2006 and 10.2006→ can cause noises (rattling).
- Note the details of the vehicle manufacturer.



www.zf.com/serviceinformation