

Tech - Talk

PREMIUM PRESS-IN DIRECTIONAL BALL JOINTS

PREMATURE FAILURE OF PRESS-IN DIRECTIONAL BALL JOINTS DUE TO IMPROPER INSTALLATION

Market Issue:

Press-in directional ball joints are ball joints that have a single axis of travel, rather than the full travel of a non-directional ball joint. Installation of press-in directional ball joints with improper orientation could lead to premature failure. If a press-in directional ball joint is installed with the incorrect orientation, damage to the housing and/or stud may occur.

TRW Solution:

TRW press-in directional ball joints feature special markings such as dots, flats, or semi-circle cutouts that indicate the correct orientation during installation. An instruction sheet is also included to aid in the installation process.

Alignment Marks

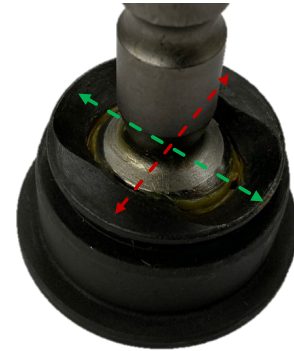
Dots



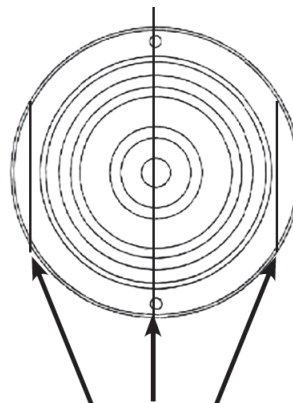
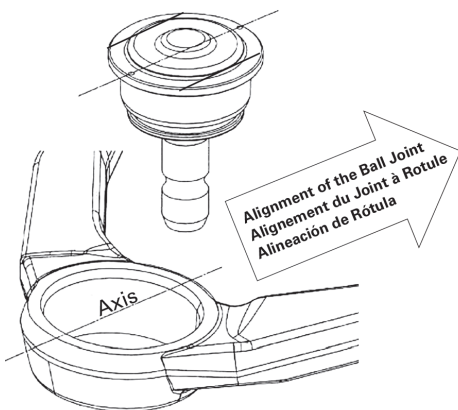
Flats



Semi-Circle Cutouts



Correct direction of travel
Incorrect direction of travel



Marks or flats show proper direction
Les marques ou les barres indiquent la bonne direction
Las marcas o planos muestran la dirección correcta

TRW Part Numbers

JB1017	JB845
JB1028	JB849
JB1048	JB861
JB121	JB862
JB165	JB877
JB295	JB926
JB323	JB936
JB577	JB947
JB653	JB959
JB654	

