



ZF Electric Axle Drive repair kits.

ZF Aftermarket introduces their comprehensive range of repair kits for electric axle drives.

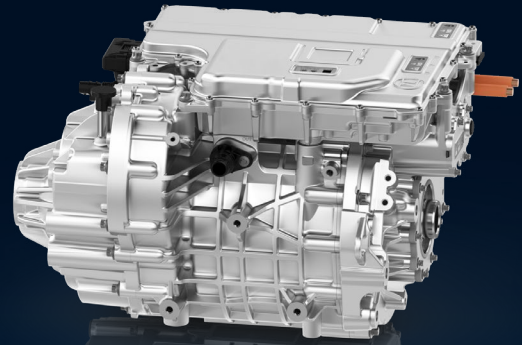
ZF Aftermarket: Your electric partner.

With more and more electric vehicles being serviced or repaired in independent workshops, we're constantly innovating to provide bespoke service solutions and a dedicated product portfolio for the automotive industry of today, and tomorrow. With over two million OEM electric motors produced, trust us to meet all your aftermarket needs.

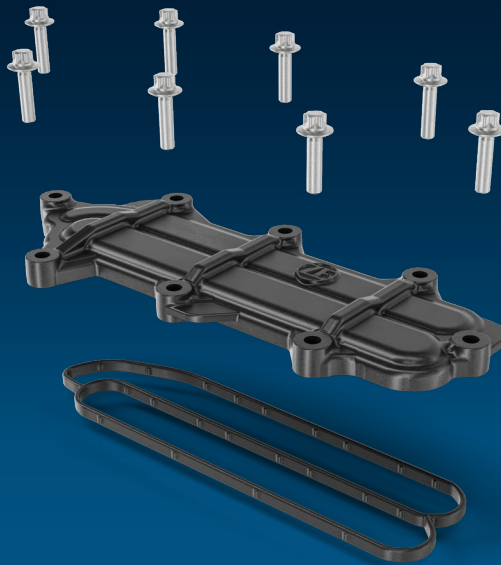


ZF Aftermarket: Your electric partner.

Independent workshops are now increasingly dealing with repairs of electric cars – and need the appropriate spare parts to do so. That's why ZF Aftermarket is taking its range for the electric drivetrain to the next level. With our new repair kits, independent workshops now have access to specific parts for electric axle drives.



Always the right fit.



The ZF Electric Axle Drive features an integrated e-drive system with e-motor, power electronics and reducer for a compact design. Now, ZF Aftermarket is introducing a range of 43 repair kits to help you get your customers back on the road.

The kits contain all the spare parts, fastening elements and tools required for the respective repair – and cover a range of applications. Plus, to help make your job easier, none of this work requires the electric motor or electric axle drive to be removed.

High Voltage training.

As with all electric vehicle repairs, risk awareness is key. Vehicles must first be de-energized for the safest possible working environment – and training level 2S in accordance with DGUV 209-093 is required.

ZF High Voltage training courses ensure you have the right technical knowledge in the field of high voltage systems for both optimal time efficiency and safe operation. Make sure your workshop is future ready.



ZF Part Number	Description	EAN
4460.298.040	Repair set, cover of cooler housing	4053203374580
4460.298.041	Repair set, shaft drive	4053203374597
4460.298.042	Repair set, shaft drive	4053203375204
4460.298.043	Shaft Seal, drive shaft	4053203375211
4460.298.044	Repair set, electric clutch	4053203375228
4460.298.045	Repair set, coolant pipe	4053203375235
4460.298.046	Repair set, guard	4053203375242
4460.298.047	Sensor, odometer	4053203375259
4460.298.048	Sensor, odometer	4053203375266
4460.298.049	Sensor, odometer	4053203375273
4460.298.051	Screw set, guard	4053203375297
4460.298.052	Repair set, guard	4053203375303
4460.298.053	Screw Set, cardan shaft	4053203375310
4460.298.055	Repair set, guard	4053203375327
4460.298.056	Repair set, shaft drive	4053203375334
4460.298.057	Repair set, shaft drive	4053203375341
4460.298.903	Repair set, coolant pipe	4053203396735
4460.298.905	Repair set, engine holder (E-engine)	4053203396759
4460.298.906	Repair set, support (engine holder)	4053203396766
4460.298.907	Repair set, support (engine holder)	4053203396773
4460.298.908	Repair set, support (engine holder)	4053203396780
4460.298.909	Repair set, parking lock	4053203401477
4460.298.914	Repair set, parking lock	4053203410110
4460.298.915	Sensor, speed/RPM	4053203410127
4460.298.916	Repair set, support (engine holder)	4053203410134



ZF Part Number	Description	EAN
4460.298.917	Sensor, odometer	4053203411537
4460.298.918	Repair set, guard	4053203411315
4460.298.921	Repair set, shaft drive	4053203418130
4460.298.923	Repair set, shaft drive	4053203418154
4460.298.924	Sensor, odometer	4053203418161
4460.298.925	Repair set, electric clutch	4053203418178
4460.298.929	Repair set, shaft drive	4053203419625
4460.298.931	Repair set, shaft drive	4053203419649
4460.298.932	Sensor, odometer	4053203419656
4460.298.933	Repair set, guard	4053203419663
4460.298.934	Repair set, self-aligning support (engine holder)	4053203419670
4460.298.937	Repair set, coolant pipe	4053203422267
4460.298.939	Repair set, shaft drive	4053203422281
4460.298.941	Repair set, shaft drive	4053203422403
4460.298.943	Repair set, shaft drive	4053203436042
4460.298.945	Repair set, guard	4053203436066
4460.298.946	Repair set, electric clutch	4053203439135
4460.298.947	Repair set, support (engine holder)	4053203444412

