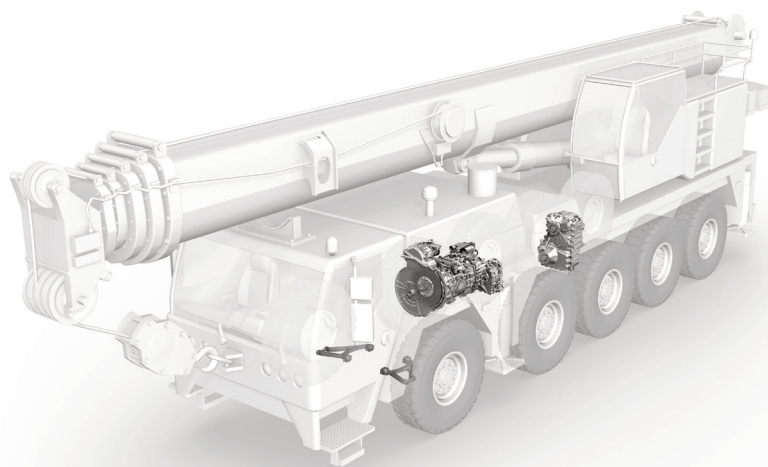
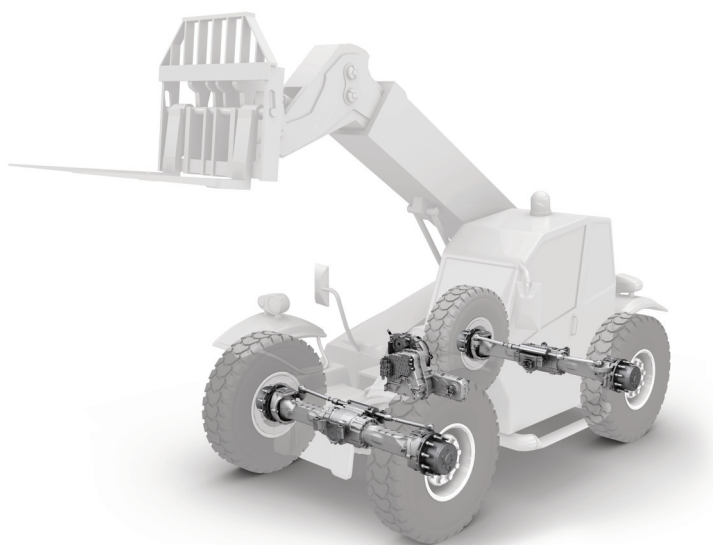
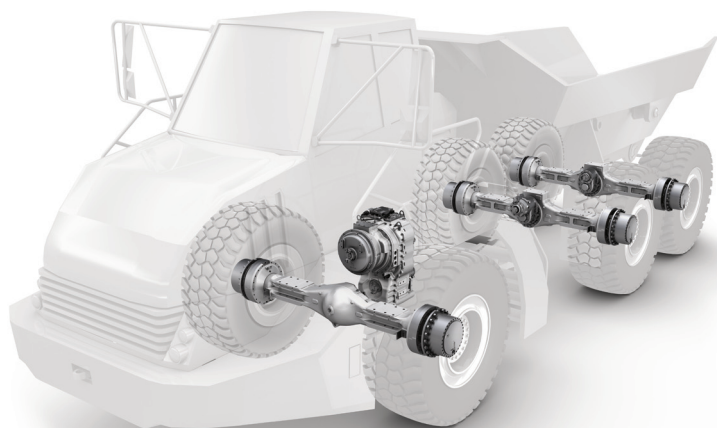


ZF SERVICES UK MULTI LEVEL UNIT REPAIRS

www.zf.com/uk/off-highway



MOTION AND MOBILITY



CHOOSE THE BEST REPAIR SOLUTION FOR YOUR BUSINESS

Here at ZF Services UK, we understand that keeping machinery working efficiently, effectively and at maximum capacity is the aim of all plant operators. This is why we offer a variety of packages to support our customers requirements.

At our dedicated workshop in Nottingham, we offer you a FREE Strip & Assess inspection to ascertain the condition of your transmission or axle. Working to OEM standards our

industry trained technicians take pride in their work. So why not take advantage of the offer and see what our experts recommend?

Our repair options offer value for money and a choice to suit your business needs. Contact Customer Services on +44 (0) 333 240 1123, or visit our website at www.zf.com/uk/off-highway to find out more.

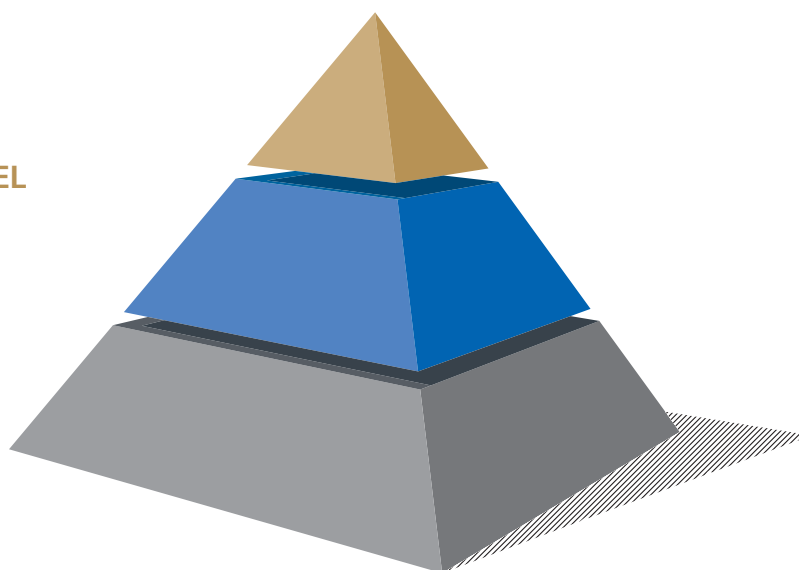
| Multi Level Repair Options | | |
|-----------------------------------|---|---|
| 2 - 1 | Repair | Warranty |
| 2. Reman / Service Exchange Level | Failed parts Worn parts Service updates | 12 Months / 1500 hrs |
| 1. Repair | Failed parts only | Up to 6 Months / 750 hrs on all new parts fitted |

ZF BEST CHOICE

2. REMAN / SERVICE EXCHANGE LEVEL

1. REPAIR

FREE STRIP & ASSESS



MOTION AND MOBILITY