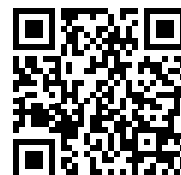
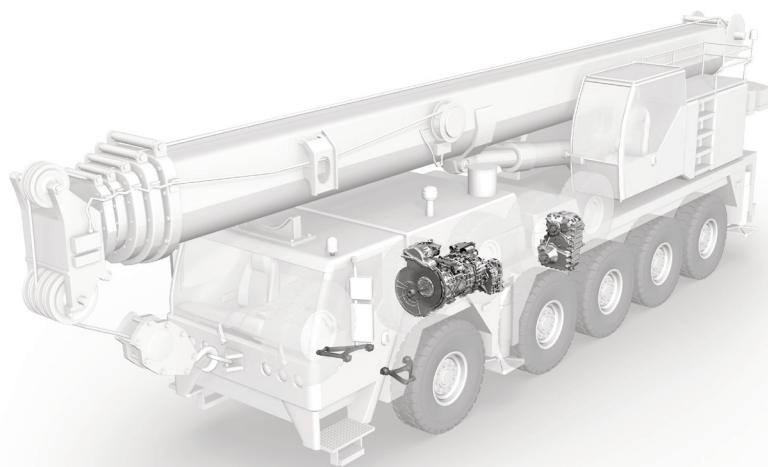
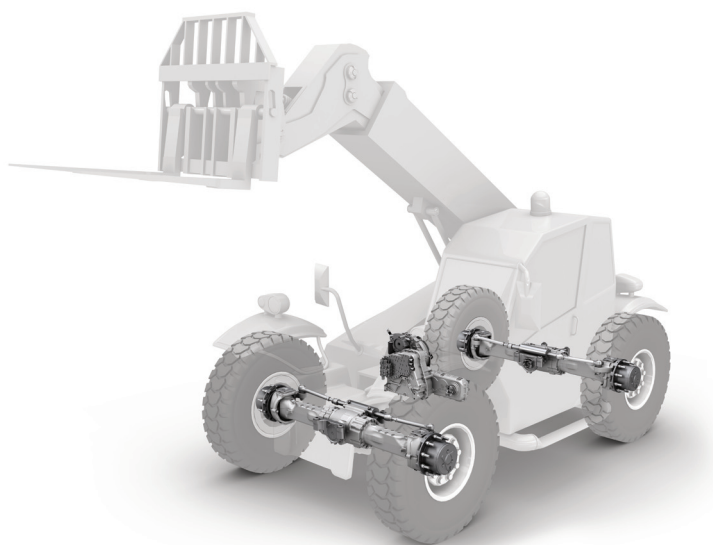
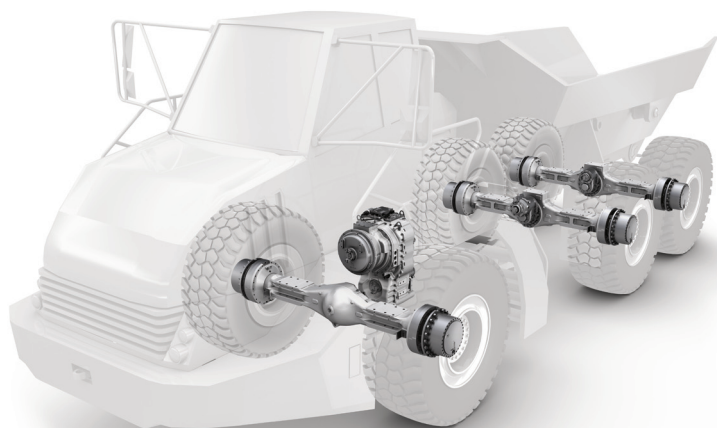


# ZF SERVICES UK REMANUFACTURED TORQUE CONVERTERS

[www.zf.com/uk/off-highway](http://www.zf.com/uk/off-highway)



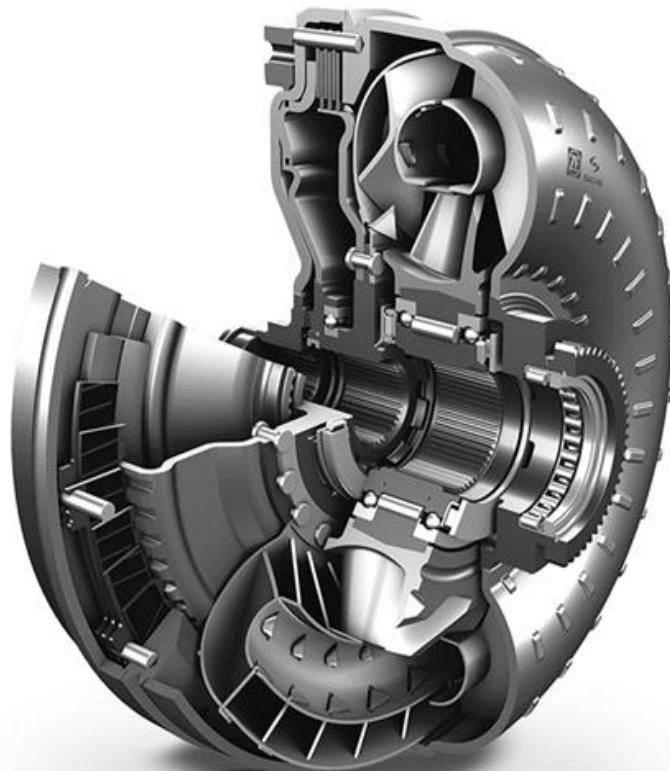
MOTION AND MOBILITY



# ZF ORIGINAL EQUIPMENT QUALITY REMANUFACTURED TORQUE CONVERTERS

Over the past several years ZF Services has provided you successfully with remanufactured converters in original equipment quality. Thanks to our attractive pricing you have the opportunity to choose ZF quality over competitors who offer product replicas.

For direct selling or transmission repairs, always choose ZF's remanufactured products. We have taken measures to ensure high availability and fast processing. For further information please Contact our Customer Services Team on +44 (0) 333 240 1123.



## Returns and acceptance criteria of old units:

- Do not clean the removed used part.
- Corroded, contaminated, or painted torque converters are accepted as well.
- Check the used part for damage.
- Damage affecting functionality, bores, or cracks at the torque converter or at the pump collar are not permissible.
- The torque converter must be firmly locked, unopened, and drained from liquids as thoroughly as possible.
- Pack the used part safely and send it back at your expense.
- Please ensure the torque converter is protected from damage during transport.
- In particular, protect the pump collar from corrosion using VCI paper or corrosion protection agents.
- Each part we receive undergoes visual inspection. Subsequently, you will be informed about the result.
- When the converter meets the specifications you will be credited with the corresponding value.
- In case the converter does not meet the specifications, we will return it to you or scrap it at your expense.

**It can only be returned no later than three months after purchasing a new torque converter or after receipt of a remanufactured replacement torque converter.**

**For further information please contact our Customer Services Team on +44 (0) 333 240 1123.**



MOTION AND MOBILITY