

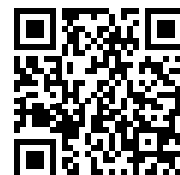
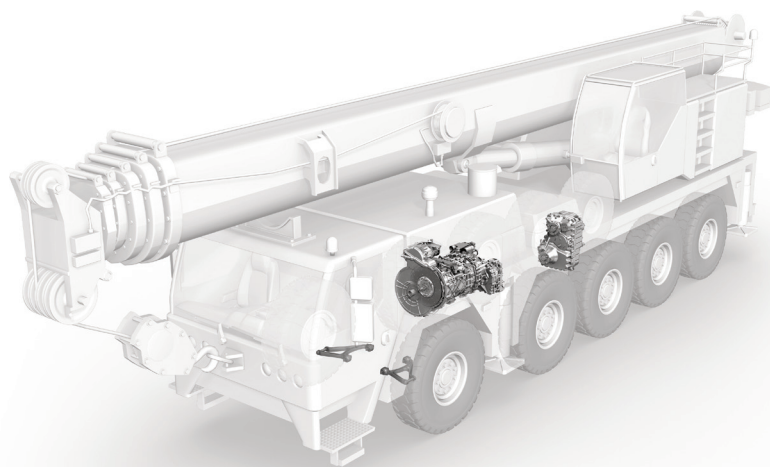
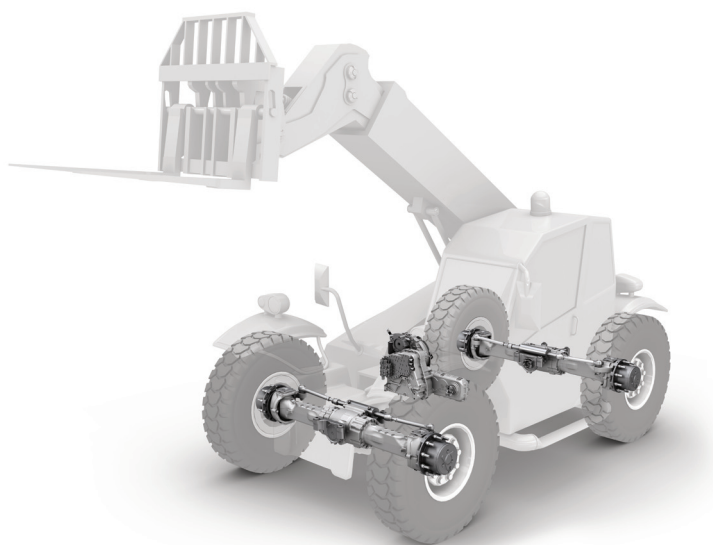
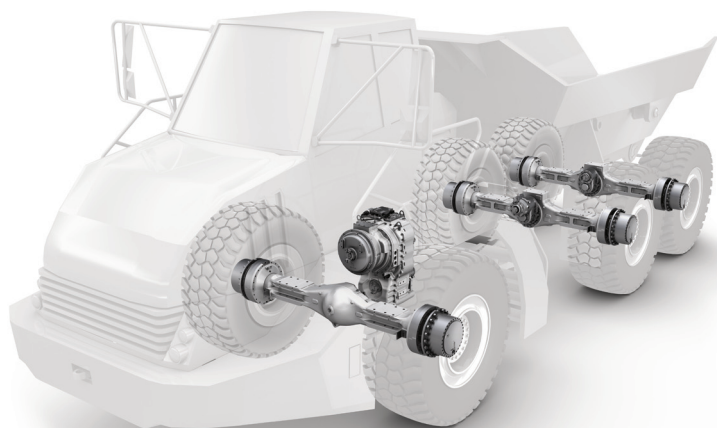
ZF SERVICES UK

GS 3 AND GS 3.3 TRANSMISSION CONTROL UNITS

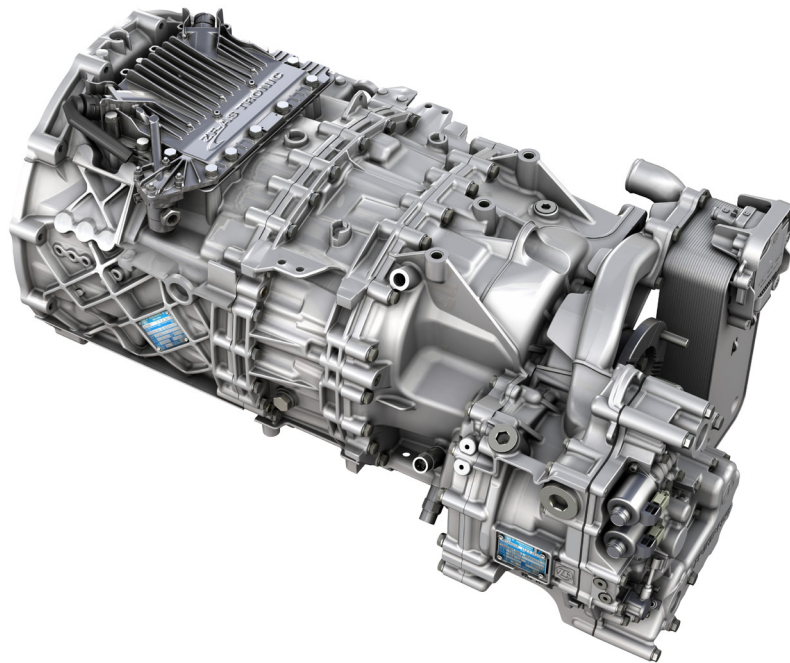
www.zf.com/uk/off-highway



MOTION AND MOBILITY



OUR NEW OR REMANUFACTURED UNITS OFFER VALUE FOR MONEY AND A CHOICE TO SUIT YOUR BUSINESS NEEDS



Products:

Standard 20 pin: 6009.074.900:000 GS 3 Complete New

Standard 20 pin: 6009.074.900:800 GS 3 Complete Remanufactured Exchange Unit.

Standard 18 pin: 6009.074.901:000 GS 3 New

Standard 18 pin: 6009.074.901:800 GS 3 Complete Remanufactured Exchange Unit.

Standard 20 pin: 6009.097.900:000 GS 3.3 New

Standard 20 pin: 6009.097.900:800 GS 3.3 Complete Remanufactured Exchange Unit.

Standard 18 pin: 6009.097.901:000 GS 3.3 New

Standard 18 pin: 6009.097.901:800 GS 3.3 Complete Remanufactured Exchange Unit.

GS 3 and GS 3.3 Bottom Half 6009.298.006:000 New

GS 3 and GS 3.3 Bottom Half 6009.298.006:800 Remanufactured Exchange Unit.

GS 3 Top half 20 pin 6009.098.001:000 New

GS 3 Top half 20 pin 6009.098.001:800 Remanufactured Exchange Unit.

GS 3 Top half 18 pin 6009.098.002:000 New

GS 3 Top half 18 pin 6009.098.002:800 Remanufactured Exchange Unit.

GS 3.3 Top half 20 pin 6009.098.003:000 New

GS 3.3 Top half 20 pin 6009.098.003:800 Remanufactured Exchange Unit.

GS 3.3 Top half 18 pin 6009.098.004:000 New

GS 3.3 Top half 18 pin 6009.098.004:800 Remanufactured Exchange Unit.

For further information please contact our Customer Services Team on +44 (0) 333 240 1123.



MOTION AND MOBILITY